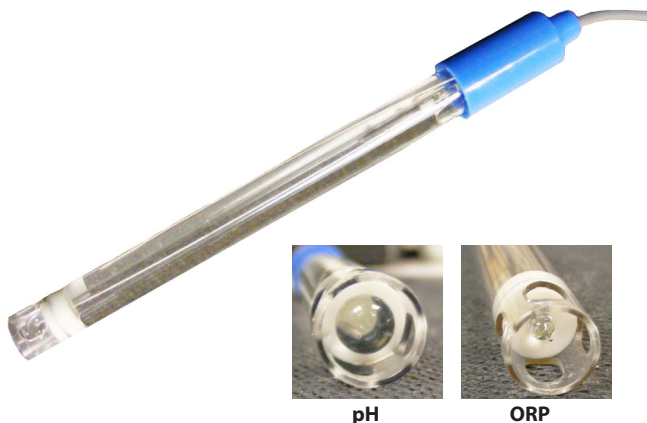


S150C(pH) and S150C-ORP Low Cost Polycarbonate Body Electrodes



Use with any pH meter

Durable polycarbonate body construction

Shipped in soaking solution ready for immediate use

Available In clear or black bodies(upon request)

No-Maintenance Gel filled reference

RoHS Compliant

The new S150C and S150C-ORP in polycarbonate body, offer a lower cost alternative to epoxy body pH and ORP electrodes. Choose them for general purpose lab applications, pool and spa pH and chlorine control and more.

A newly designed tip offers pH bulb and ORP platinum or gold protection while maintaining optimum flow through the slots in the body.

Both pH and ORP models are shipped in a soaker bottle and are ready for immediate use.

The gell-filled sealed reference provides maintenance-free operation.

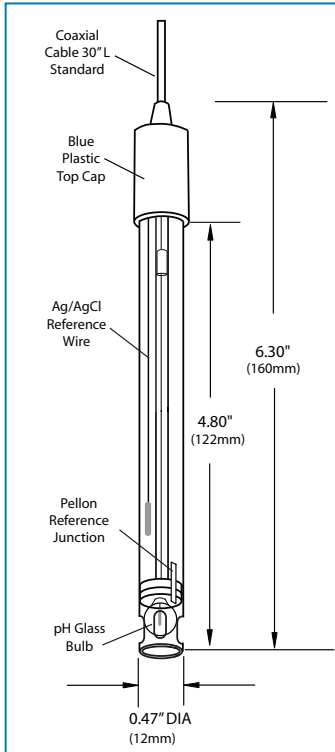
RoHS compliant, both pH and ORP models are built using lead-free glass and lead-free solder.

Standard versions are supplied in a clear Polycarbonate body. Black body versions are available upon request in OEM quantities. Contact Sensorex for more details.

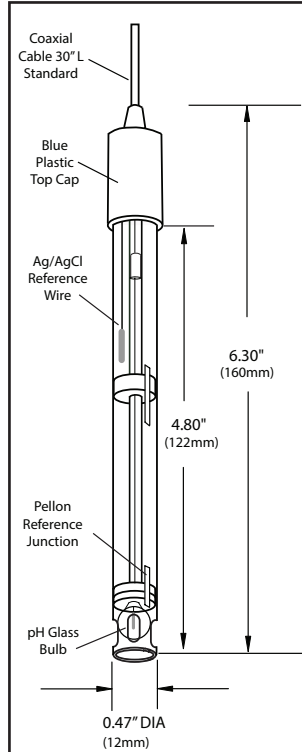
Specifications

pH Measuring Range	0-14 pH Na+ error >12.3 pH)
Wetted Materials	Polycarbonate, Silicone, pH Glass or Platinum
Max Temperature	60 degrees C
Max Pressure	50 psig
Cable Length	30 inches
Connectors	choice of BNC, (US Std, DIN at additional cost)
Response Speed pH	>90% in 1 second

**OUTLINE DRAWING AND DIMENSIONS
FOR S150C & S150CD pH ELECTRODES**

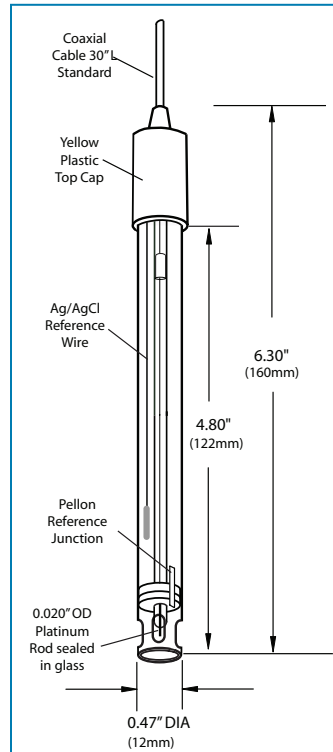


S150C

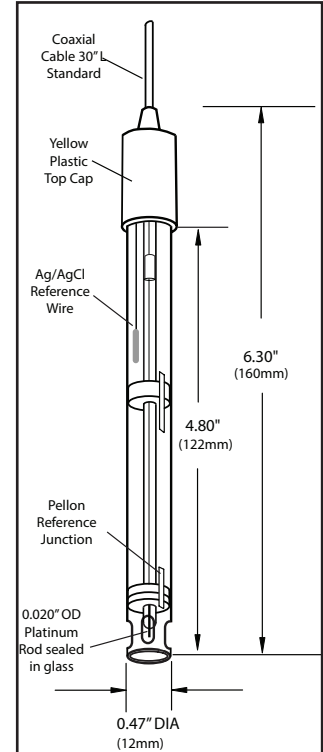


S150CD

**OUTLINE DRAWING AND DIMENSIONS
FOR S150C-ORP & S150CD-ORP ELECTRODES**



S150C-ORP



S150CD-ORP

ORDERING INFORMATION

Part no.	Description
S150C	Combination pH electrode, Clear Body, 1 meter cable, BNC connector or other at additional cost
S150CD	Combination pH electrode, Clear Body, Double junction, 1 meter cable, BNC connector or other at additional cost
S150C-ORP	Combination ORP electrode, Platinum, Clear Body, 1 meter cable, BNC connector or other at additional cost
S150CD-ORP	Combination ORP electrode, Platinum, Clear Body, Double junction, 1 meter cable, BNC connector or other at additional cost
S150C-ORP-AU	Combination ORP electrode, Gold, Clear Body, 1 meter cable, BNC connector or other at additional cost