

# TX2000 pH/mV Transmitter



## Specifications

<b>Measuring Range (pH)</b>	-2.00 to 16.00pH, 0.01 pH resolution
<b>Measuring Range (ORP/mV)</b>	-1999mV to 1999mV, 1mV resolution, +/- 1mV accuracy
<b>Temperature Range</b>	-30 °C to 130 °C, 0.1 °C resolution, 0.2 °C accuracy
<b>Calibration Mode</b>	AnyTech & NIST buffers up to 2 points
<b>Analog Output 1</b>	0/4 -20mA, corresponding to pH or ORP output. Max load 500 Ω.
<b>Analog Output 2</b>	0/4 -20mA, corresponding to temperature output. Max load 500 Ω
<b>Voltage Output</b>	DC +/- 12V, 1W max
<b>Set-Points</b>	Contact : 240V AC, 5A max Activate: 2 setpoints Hi/Low, On/Off
<b>Wash Setting</b>	Contact : 240V AC, 30V DC 5.0A max On :0-9999 seconds /Off: 0-9999 hours
<b>Enclosure</b>	NEMA 4X IP65, with push-button control pad. HWD: 96 mm (3.78") x 96 mm (3.78") x 132mm (5.20"), 1/4 DIN
<b>Panel Cut-Out</b>	93mm (3.66") x 93mm (3.66")
<b>Weight</b>	approx. 0.50kg (1.1lb)
<b>Mounting Options</b>	Panel or Wall mount
<b>Ambient Temperature</b>	0 °C to 50 °C
<b>Temperature Compensation</b>	NTC 30K or Pt1000 RTD with automatic compensation or manual
<b>Power Requirement</b>	100-240V AC +/- 10%, 9W max., 50/60 Hz
<b>Input Impedance</b>	>10 <sup>12</sup> Ω

**2 each Voltage isolated (500 V) 4-20mA Outputs (pH or ORP and Temperature)**

**2 adjustable Hi/Lo relays and contacts**

**Large LCM display indicates pH or mV and Temperature simultaneously**

**NEMA 4X, IP65 enclosure**

**Sample averaging to enhance stability**

The TX2000 pH/mV is a full-featured pH or ORP controller. Simply power up your TX2000 with 110-240V AC power and you get a controller with a wide range of useful features: 2 relays, 1 wash control, 2 each 4-20mA outputs (pH & Temp or ORP & Temp).

Calibration is easy using maximum of 3 Tech or NIST buffers and can be password protected with a programmable security code.

Mounting choices include: wall or panel with all fittings included.

The large LCM display has auto-sense backlight and contrast setting function. Text and graphic illustrations provide user-friendly operation.

## Ordering Information

### Model

TX2000	pH/ORP Controller requires 110-240V AC power. 2 Relays, 2 each 4-20mA outputs, Wash control and more, 1/4 DIN enclosure
--------	---

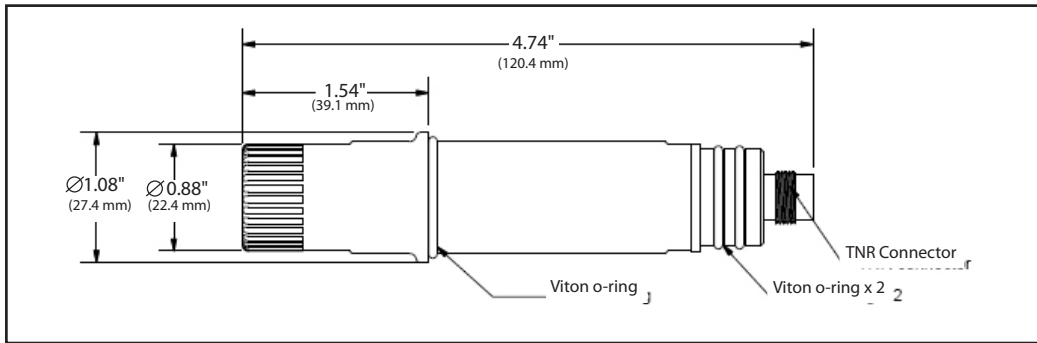
### Accessories

B107	pH 7.00 buffer, 1 pint U.S.
B104	pH 4.01 buffer, 1 pint U.S.
B110	pH 10.00 buffer, 1 pint U.S.
B225	Zobell Solution, ORP standard 225mV+/-5%
C110	pH/ORP checker/simulator

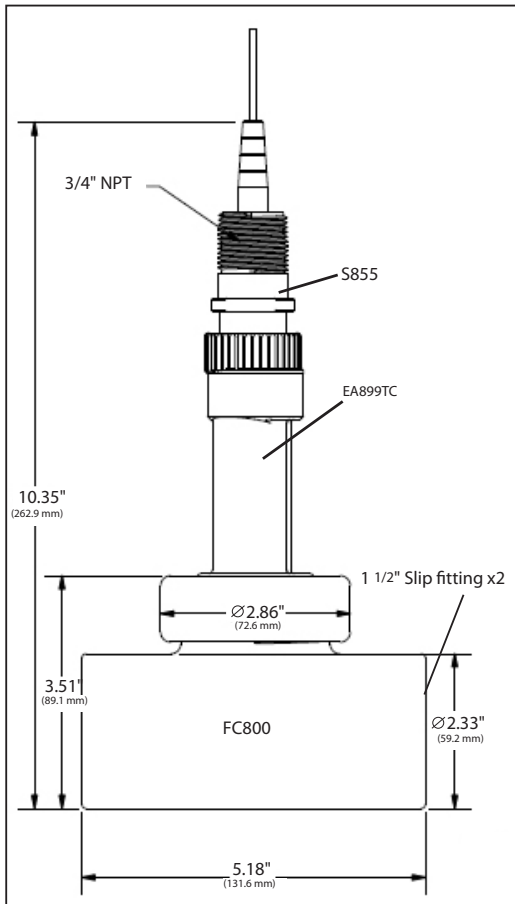
Pair any of these pH and ORP electrodes with your TX3000:

S8000 Modular pH and ORP Seies

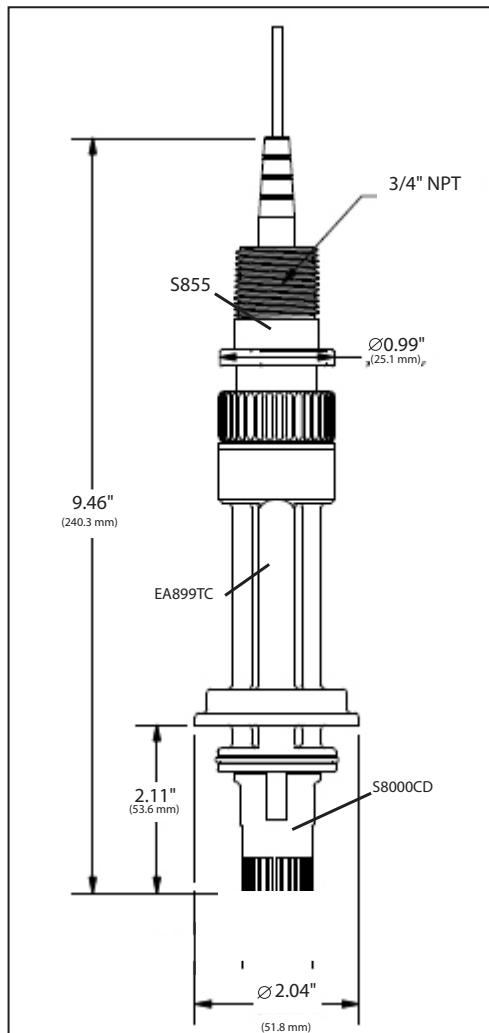
S8000CD, S8000CDHF, S8000CD-ORP, S8000CD-LC



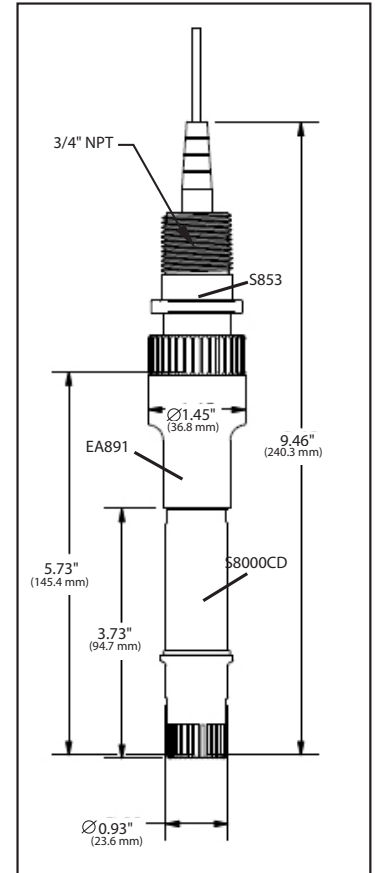
S8000CD + EA899TC + S855 + FC800



S8000CD + EA899TC + S855



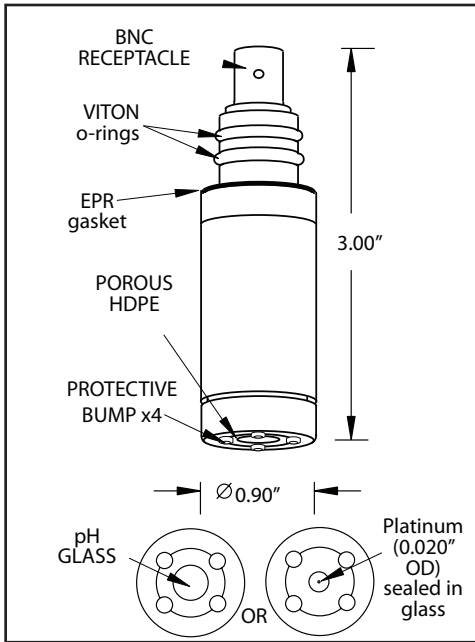
S8000CD + EA891 + S853



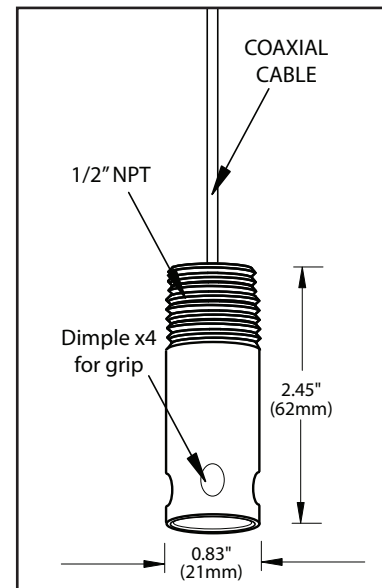
## Pair any of these pH and ORP electrodes with your TX3000:

Insertion/Wet-Tap Assmblly S675, electrode cartridge S656CD

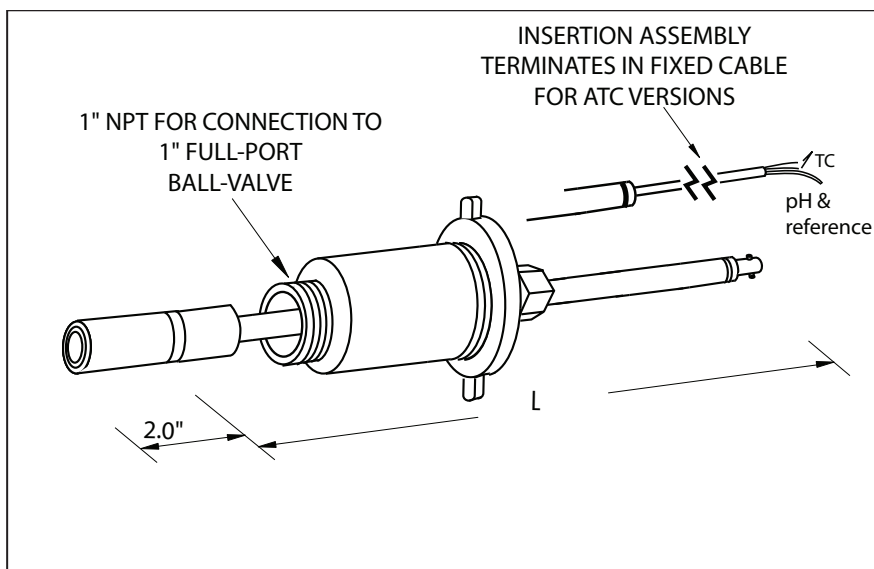
**S656CD and S656CD-ORP**



**CPVC CABLES WITH CONDUIT CONNECTION (NO ATC) - S653**



### CPVC pH and ORP Insertion Assemblies ( With and Without ATC) -S675, S675TC

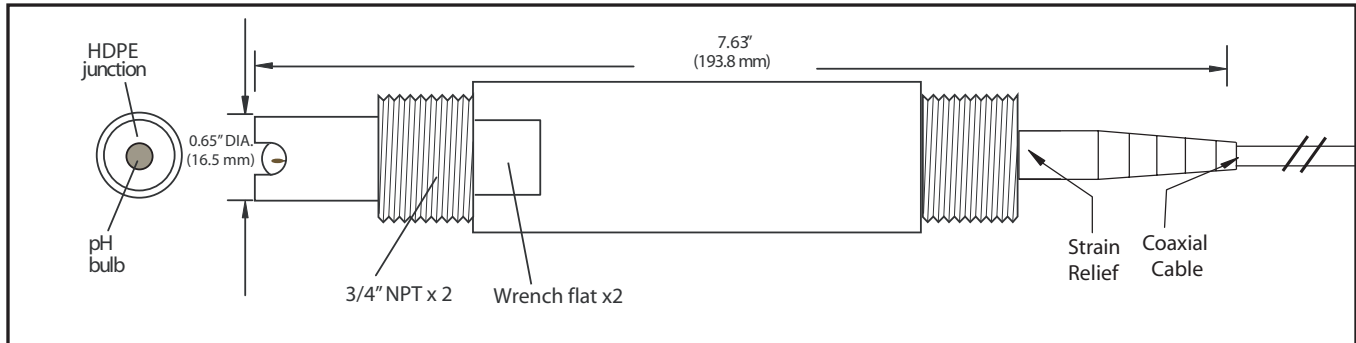


Model No.	L(inches)
S675, S675TC	18
S676, S676TC	24
S677, S677TC	30

## Pair any of these pH and ORP electrodes with your TX3000:

Convertible Submersion or In-Line pH & ORP Electrodes in durable PPS bodies

### S271CD



### S272CD & S272TC

