

### IN-LINE / SUBMERSION UVT MONITORS WITH LED TECHNOLOGY



#### INDUSTRIES:

**Municipal Wastewater**  
**Industrial Water**  
**Industrial Wastewater**  
**Drinking Water**  
**Food and Beverage**  
**Pharmaceutical**  
**Semiconductor**

---

**Stable measurements driven by UV-C LED technology**

---

**Patented automatic cleaning and calibration**

---

**Simple connectivity with direct 4-20mA output**

---

**Reduced maintenance with no field servicable parts**

---

**Continuous monitoring for UV disinfection control**

---

#### **Smarter UV-Transmittance Monitoring.**

Sensorex's UVT-LED transmittance monitors are the first UVT monitors in the world to use a UV-C LED light source. This technology offers advantages over traditional mercury lamp UVT instrumentation, including stable output with zero warm up time. The result is more accurate UVT measurements over a longer period of time, without the need for frequent recalibration or light source replacement.

#### **Automatic Cleaning and Calibration**

Maintenance is minimal thanks to our patented wiper technology, which delivers a swift cleaning cycle and automatic calibration to a quartz reference standard.

#### **Effortless Installation or Retrofitting**

We offer several different mounting kits - perfect for new installs in an open channel, retrofits for Hach® models, or various in-line configurations using a sanitary connection.

#### **Simple Connectivity**

The sensor directly outputs a 4-20mA signal for tuning the power of a UV disinfection system or monitoring with a data logger.

**DESIGNED AND ASSEMBLED IN CALIFORNIA, USA**

11751 MARKON DRIVE • GARDEN GROVE, CA 92841 • 714.895.4344 • WWW.SENSOREX.COM

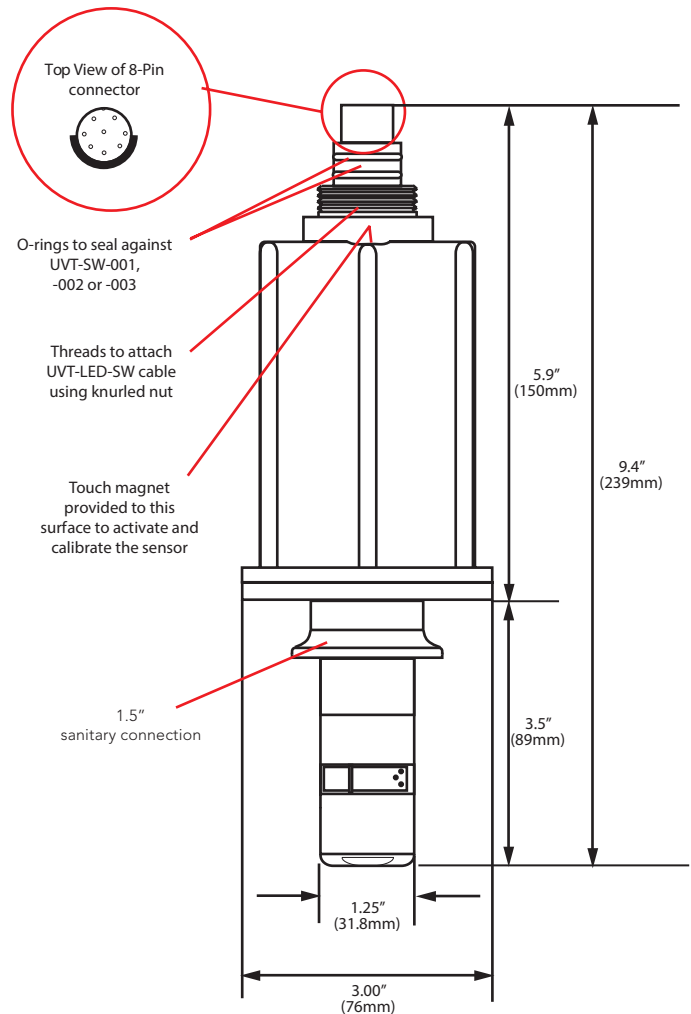
© Sensorex Corporation. All rights reserved. In the interest of improving and updating its equipment, Sensorex reserves the right to alter specifications to equipment at any time.

### SPECIFICATIONS

|                                |  |
|--------------------------------|--|
| <b>Measurement Technique</b>   | UV Absorption Method (Single Beam Technique), Reagent-Free |
| <b>Measurement Path Length</b> | 1cm  |
| <b>Wavelength</b>              | 254nm  |
| <b>Output</b>                  | 4-20mA   |
| <b>Power Requirement</b>       | 24V DC, 5A min. (not included)                             |
| <b>Accuracy</b>                | 1.0% T   |
| <b>Resolution</b>              | 0.1% T   |
| <b>Light Source</b>            | UV-C LED   |
| <b>Measurement Range</b>       | 10% - 100% T   |
| <b>Measurement Interval</b>    | 60 seconds   |
| <b>Sample Flow Rate</b>        | N/A  |
| <b>Inspection Interval</b>     | 6 months   |
| <b>User Maintenance</b>        | 1 hour/month (Typical)                                     |
| <b>IP Ingress Rating</b>       | IP68   |
| <b>Warranty</b>                | 1 year limited warranty                                    |
| <b>Dimensions</b>              | 9.40" H x 3.00 " DIA                                       |
| <b>Weight</b>                  | 1.78 lbs (0.81 kg)   |



### OUTLINE AND DIMENSIONS



See User Manual for detachable cable assembly and mounting hardware kits.

### ORDERING INFORMATION

| Part Number       | Description   |
|-------------------|---|
| <b>UVT-LED-SW</b> | Online UV-Transmittance Monitor (Includes UVT-SW-001)         |
| <b>UVT-SW-001</b> | Detachable cable assembly for UVT-LED-SW, 10 m (33 ft) length |
| <b>UVT-SW-002</b> | Detachable cable assembly for UVT-LED-SW, 20 m (66 ft) length |
| <b>UVT-SW-003</b> | Detachable cable assembly for UVT-LED-SW, 30 m (99 ft) length |

Hach is a registered trademark of Danaher. No affiliation, endorsement, or sponsorship is stated or implied.

**DESIGNED AND ASSEMBLED IN CALIFORNIA, USA**

11751 MARKON DRIVE • GARDEN GROVE, CA 92841 • 714.895.4344 • WWW.SENSOREX.COM

© Sensorex Corporation. All rights reserved. In the interest of improving and updating its equipment, Sensorex reserves the right to alter specifications to equipment at any time.

### ORDERING INFORMATION

#### IN-LINE INSTALLATION ACCESSORIES

| Part Number | Description                                      |
|-------------|--|
| UVT0008     | Installation Kit, Stainless Steel Pipe (2" NPT)  |
| UVT0009     | Installation Kit, Stainless Steel Pipe (Weld On) |
| UVT0015     | Installation Kit, Sanitary Flow Cell (3")        |
| UVT0021     | Installation Kit, PVC Pipe (2" NPT)              |
| UVT0023     | Installation Kit, PVC 2" Flow Cell               |
| UVT0024     | Installation Kit, Sanitary Flow Cell (2")        |
| UVT0025     | 1.5" Sanitary Flange Cap, Stainless Steel        |

#### SUBMERSIBLE INSTALLATION ACCESSORIES

| Part Number | Description  |
|-------------|--|
| UVT-SW-004  | Installation kit for UVT-LED-SW, retrofit installation |
| UVT-SW-005  | Installation kit for UVT-LED-SW, new installations     |

#### DISPLAY

| Part Number | Description   |
|-------------|---|
| LPM100      | Loop-powered 4-20mA display for use with UVT-LED-SW |
| LPMA-002    | Pipe Mount Hardware for LPM100                      |

Hach is a registered trademark of Danaher. No affiliation, endorsement, or sponsorship is stated or implied.

**DESIGNED AND ASSEMBLED IN CALIFORNIA, USA**

11751 MARKON DRIVE • GARDEN GROVE, CA 92841 • 714.895.4344 • WWW.SENSOREX.COM

© Sensorex Corporation. All rights reserved. In the interest of improving and updating its equipment, Sensorex reserves the right to alter specifications to equipment at any time.