



CS300 Process Graphite Contacting Conductivity Sensor Product Manual

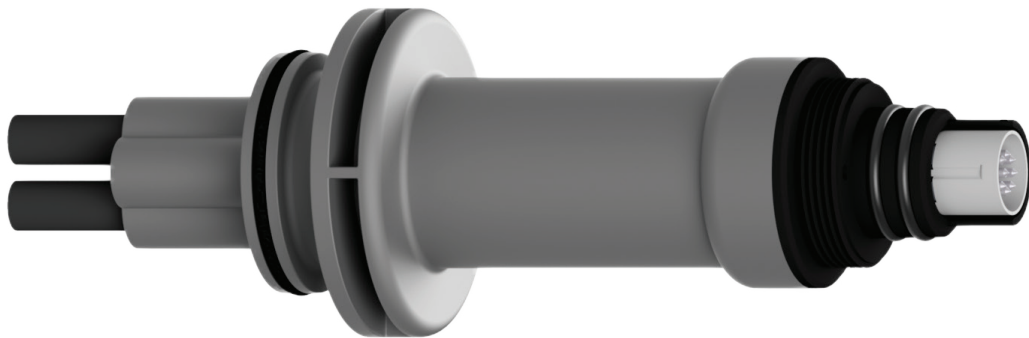


Table of Contents

Introduction.....	1
Model # CS300 Ordering Matrix.....	1
Specifications	2
Calibration	2
Sensor Installation	3
Mechanical.....	3
Electrical.....	3
Sensor Repair.....	3
Sensor Storage.....	3

DESIGNED IN CALIFORNIA

ASSEMBLED IN CALIFORNIA AND CZECH REPUBLIC

11751 MARKON DRIVE • GARDEN GROVE, CA 92841 • 714.895.4344 • WWW.SENSOREX.COM

© Sensorex Corporation. All rights reserved. In the interest of improving and updating its equipment,
Sensorex reserves the right to alter specifications to equipment at any time.

Introduction

Thank you for choosing the Sensorex CS300 Process Graphite Contacting Conductivity Sensor. See below for ordering configurations and product specifications.

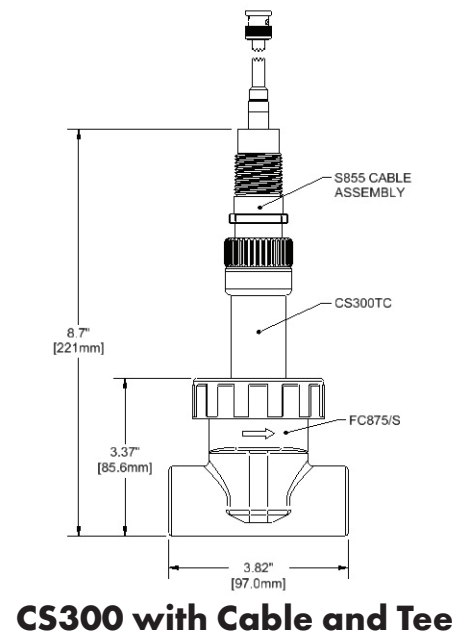
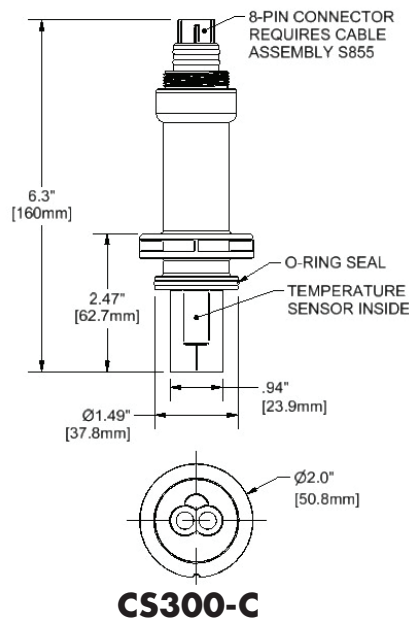
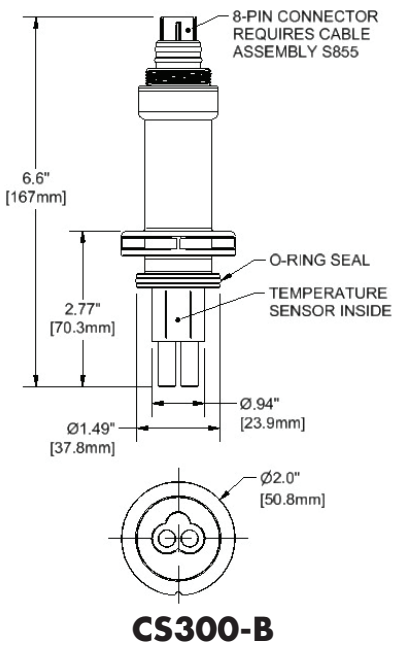
Model # CS300 Ordering Matrix

Description	Code	X	X	X	X	X
CELL CONSTANT <ul style="list-style-type: none"> 0.1/cm ● 1.0/cm Custom Modification (customer-specified) <ul style="list-style-type: none"> Cannot be used with Flow Cells FC875/T or FC875/S. 	B C M	○				
TEMPERATURE COMPENSATION <ul style="list-style-type: none"> PT1000 RTD PT100 RTD ● 10K Thermistor ● 30K Thermistor ● Custom Modification (customer-specified) <ul style="list-style-type: none"> Not compatible with Sensorex Electronic Module. 	1 2 3 4 M		○			
CABLE LENGTH <ul style="list-style-type: none"> No Selection – Replacement Sensor 10 ft. (3m) S855 ● 20 ft. (6m) S855 ● 10 ft. (3m) S856 ● 20 ft. (6m) S856 ● Custom Modification (customer-specified) <ul style="list-style-type: none"> Quick-disconnect cable NOT COMPATIBLE with Sensorex Electronic Module. Quick-disconnect cable COMPATIBLE with Sensorex Electronic Module. 	N EC ED FC FD M			○		
CABLE TERMINATION CONNECTOR <ul style="list-style-type: none"> Tinned Leads Custom Modification (customer-specified) 	3 M				○	
BRANDING <ul style="list-style-type: none"> Sensorex-Branded No Branding Custom Modification (customer-specified) 	A B M					○

For example, choosing "0.1/cm" under Cell Constant would be **B**, "PT1000 RTD" for Temperature Compensation would be **1**, "10 feet (3m) S856" under Cable Length would be **FC**, "Tinned Leads" under Cable Termination Connector would be **3**, and "Sensorex-Branded" under Branding would be **A**. The order code would then be "**CS300 - B - 1 - FC - 3 - A**".

Specifications

Temperature / Pressure Rating	<ul style="list-style-type: none"> • 60° C (140° F) • 100 psig
Temperature Compensation	See ordering matrix.
Wetted Materials	<ul style="list-style-type: none"> • CPVC • Graphite • Viton®
Cell Constants	0.1cm ⁻¹ and 1.0cm ⁻¹



Calibration

Follow calibration instructions in your conductivity transmitter or controller manual. Suggested calibration is at least two points. One point is in air (0uS) and the other is typically >75% of the selected range. See www.sensorex.com for a wide range of conductivity standard solutions.

Sensor Installation

Mechanical

1. Glue (FC875/S) or thread (FC875/T) into your cooling tower water loop.
2. Install sensor into the tee by aligning the notch of the sensor with the FC875 tab. See **FIG 1**.
3. Slide nut of FC875 tee over sensor and tighten. See **FIG 2**.
4. Attach cable to top of sensor by aligning the black tab of the sensor with the slot of the cable. Press in and then tighten nut. See **FIG 3**.

Electrical

Follow conductivity meter/controller manufacturer's instructions. Please note the following sensor wiring configurations:

Center of Coaxial: Conductivity

Braid of Coaxial: Conductivity

Red: Temperature Sensor

Black: Temperature Sensor

Green: No Connection

Sensor Repair

Do not attempt to repair any part of the sensor. If the sensor's cable is damaged, consult the factory for details.

Sensor Storage

If long-term storage of probes is required, rinse off the sensor in clean water and dry off completely before storing.

