

# TCS3020 General Purpose Noryl Toroidal Conductivity Sensor



## Resistant to Corrosion, Coating, and Fouling

- Noryl body provides wide solvent tolerance and is stable up to 105° C
- Robust single-body design

## Wide Measurement Range

- Can measure conductivity from 0 - 2,000,000 uS

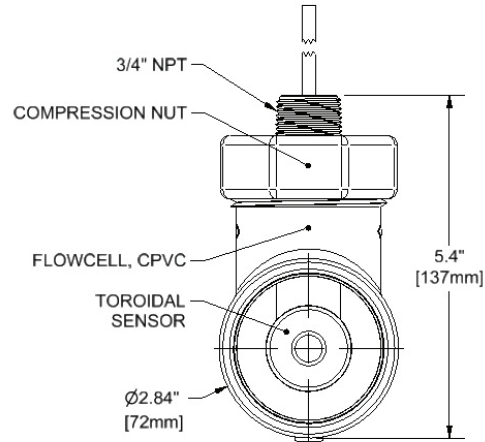
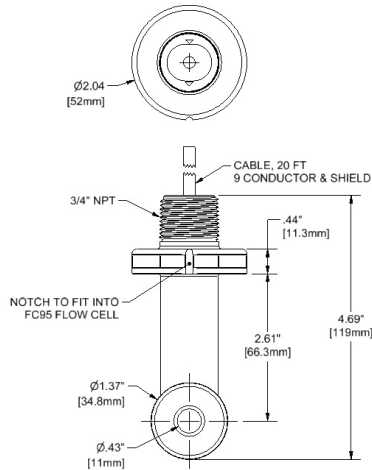
## Specifications

Measuring Range	0 – 2,000,000 uS
Body Material	Noryl
Max Temperature	105° C (if used with FC95C Flow Cell, maximum temperature is 80° C)
Max Pressure	150 psig
Temperature Compensation	See ordering matrix.
Cable Length	See ordering matrix.
Process Connection	<b>Submersion:</b> ¾" MNPT <b>In-line:</b> 2" Slip Fitting for FC95C Flow Cell (sold separately)

DESIGNED IN CALIFORNIA

ASSEMBLED IN CALIFORNIA AND CZECH REPUBLIC

11751 MARKON DRIVE • GARDEN GROVE, CA 92841 • 714.895.4344 • WWW.SENSOREX.COM  
© Sensorex Corporation. All rights reserved. In the interest of improving and updating its equipment, Sensorex reserves the right to alter specifications to equipment at any time.



## MODEL # TCS3020

### Description

#### TEMPERATURE COMPENSATION

- PT1000RTD
- Custom Modification (*customer-specified*)

#### CABLE LENGTH

- 10 ft. (3m) ●
- 20 ft. (6m) ●
- 30 ft. (10m) ●
- Custom Modification (*customer-specified*)
- Process 6 Conductor Cable

#### CABLE TERMINATION CONNECTOR

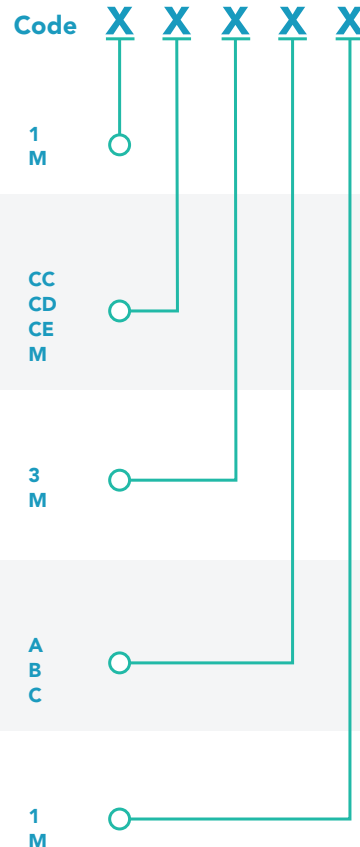
- Tinned Leads
- Custom Modification (*customer-specified*)

#### BRANDING

- Sensorex-Branded
- No Branding
- Custom Modification (*customer-specified*)

#### INSTALLATION / FITTING TYPE

- 3/4" MNPT and 2" Flange for FC95C (*sold separately*)
- Custom Modification (*customer-specified*)



For example, choosing "PT1000" for Temperature Compensation would be **1**, "10 feet (3m)" for Cable Length would be **CC**, "Tinned Leads" under Cable Termination Connector would be **3**, "Sensorex-Branded" under Branding would be **A**, and "3/4" MNPT and 2" Slip Fitting" under Installation/Fitting Type would be **1**. The order code would then be **TCS3020 - 1 - CC - 3 - A - 1**.

DESIGNED IN CALIFORNIA

ASSEMBLED IN CALIFORNIA AND CZECH REPUBLIC

11751 MARKON DRIVE • GARDEN GROVE, CA 92841 • 714.895.4344 • WWW.SENSOREX.COM

© Sensorex Corporation. All rights reserved. In the interest of improving and updating its equipment, Sensorex reserves the right to alter specifications to equipment at any time.