



Large LCD screen for easy reading

Isolated 4-20 mA analog output

Automatic temperature compensation

Flexible mounting options

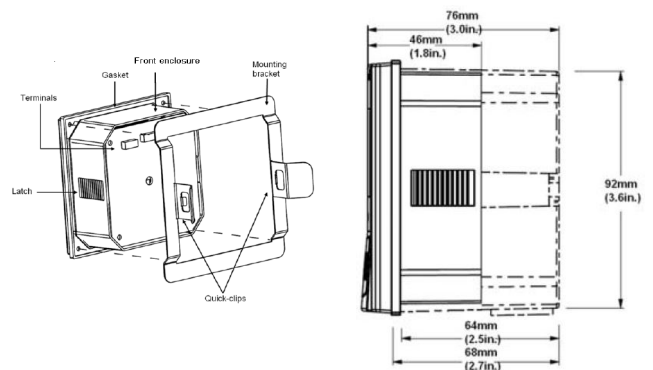
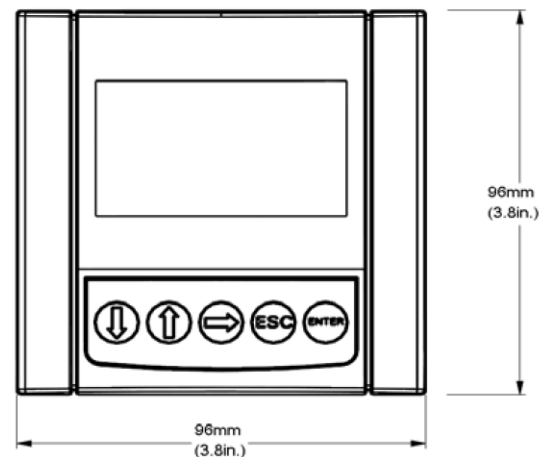
Our CX105 is an isolated output 4-20mA industrial transmitter for reading contacting Conductivity sensors, as well as TDS and Resistivity. Easily power the unit with available two-wire power supply loop. Ideal for connecting to a PLC for advanced control systems. Versatile mounting options for wall or panel mount. With a dual display LCD, monitoring both the measuring value and the temperature is simple. The CX105 is CE certified.

SPECIFICATIONS

Conductivity Range	0.05 to 500,000 $\mu\text{S}/\text{cm}$
Resistivity Range	1 $\text{K}\Omega\text{-cm}$ to 18.3 $\text{M}\Omega\text{-cm}$
TDS Range	0.023 to 200,000 ppm
Accuracy	+/- 0.5% of reading
Repeatability	+/- 0.05% of span
Temperature Drift	Zero and Span: +/-0.02% of span per $^{\circ}\text{C}$
Power	19-48 VDC, regulated, 30 mA max
Current Output	Isolated 4-20 mA output with 0.004 mA (12-bit) resolution Update rate: 1 second Max Loop Impedance: 250 Ω at 24 V; 600 Ω at 31 C; 1500 Ω at 48 V
Display	Dual Display LCD: 128*65 dot matrix, figure or alphabet
Contrast	User selected, 5 levels
Memory	Non-volatile: all user settings are retained indefinitely without battery backup
IP Rating	IP65
Operating Temperature	-10 $^{\circ}\text{C}$ to 70 $^{\circ}\text{C}$ (14 $^{\circ}\text{F}$ to 158 $^{\circ}\text{F}$); 0-95% relative humidity, non-condensing
Temperature Compensation	Automatic, PT1000 RTD
Calibration	1 point
Weight	0.84 lbs (381 g)

ORDERING INFORMATION

Part Number	Description
CX105	Contacting Conductivity Transmitter
TX105A	Panel Mount Bracket (sold separately from CX105)



SPECSCX105-04252024