

### 4-20 mA LOOP-POWERED LARGE DISPLAY PROCESS METER



Large, sleek 3 ½ digit display

Simple installation and operation

Versatile mounting options with rotatable display

Superior durability for demanding applications

Increased visibility with loop powered back-light

Compatible with Sensorex 4-20 mA output sensors

The LPM100 is a durable, versatile loop powered process meter - the ideal read out display solution for challenging applications. Loop power reduces the use of power lines, while the simple interface ensures user-friendliness. Complete a quick and adaptable installation and your system will be ready for process monitoring.

## SPECIFICATIONS

<b>Display</b>	3½ digit LCD, 1" (25.4 mm) -1,999 to 1,999
<b>Display Update Rate</b>	2.5 Updates/Second
<b>Display Orientation</b>	Display may be mounted at 90° increments up to 270° from default orientation
<b>Over-range</b>	Display reads 1 on the left most digit
<b>Programming Method</b>	Four front mounted rotary control dials accessed when the cover is removed
<b>Recalibration</b>	Recommended at least every 12 months
<b>Normal Mode Rejection</b>	60 dB rejection ratio
<b>Operating and Storage Temperature Range</b>	-40 to 75°C
<b>Relative Humidity</b>	0 to 90% non-condensing
<b>Connections</b>	Screw terminals accept 12 to 22 AWG wire
<b>Enclosure</b>	NEMA 4X, IP65 plastic field enclosure

## COMPATIBILITY

Recommended for local display of data from Sensorex sensors with a 4-20 mA output, including:

- **UVT-LED-PW UV Transmittance Sensors**
- **FCL500 Free Chlorine Sensors**
- **DO6440/T Dissolved Oxygen Sensors**
- **CLD500 Chlorine Dioxide Sensors**

## PARTS COVERED BY THIS DOCUMENT:

- **LPM100**
- **LPMA0002**

**DESIGNED AND ASSEMBLED IN CALIFORNIA, USA**

11751 MARKON DRIVE • GARDEN GROVE, CA 92841 • 714.895.4344 • WWW.SENSOREX.COM

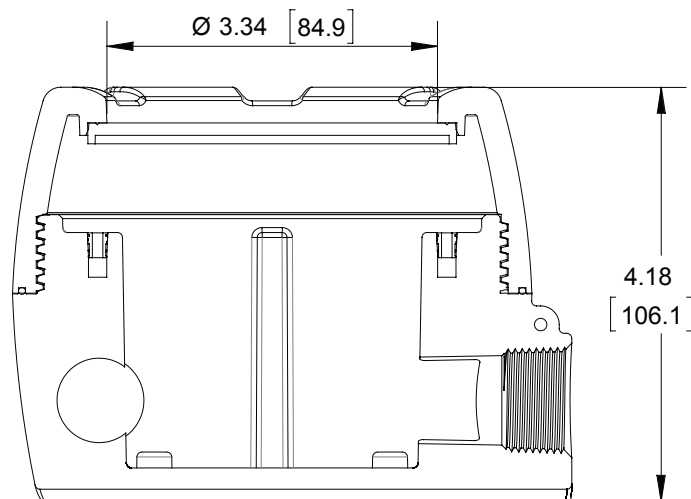
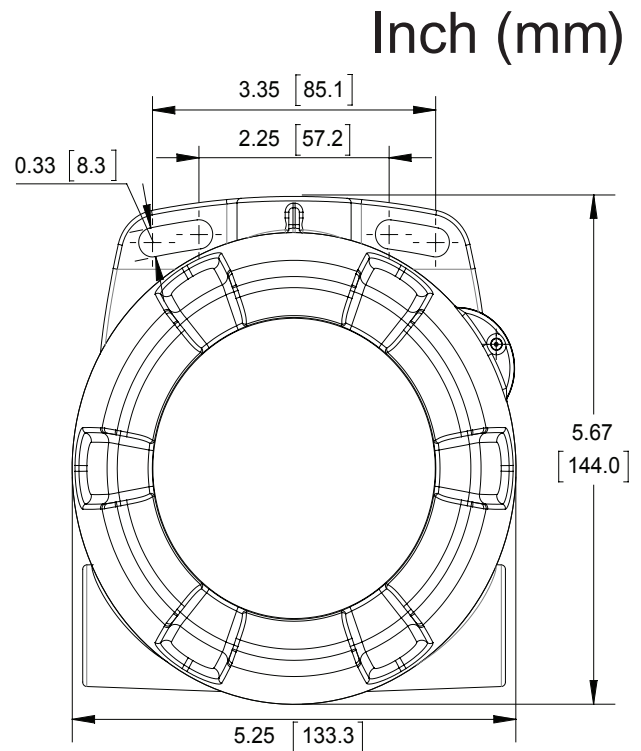
© Sensorex Corporation. All rights reserved. In the interest of improving and updating its equipment, Sensorex reserves the right to alter specifications to equipment at any time.

### OUTLINE AND DIMENSIONS

<b>Overall</b>	5.67" x 5.25" x 4.18" (144 mm x 133 mm x 106 mm) (W x H x D)
<b>Weight</b>	1.65 lbs (26.4 oz, .75 kg)

### INPUT

<b>Input</b>	4-20 mA
<b>Accuracy</b>	±0.1% of full span ±1 count
<b>Temperature Drift</b>	150 PPM/°C from -40 to 75°C ambient
<b>Calibration Range</b>	4 mA input: -1000 to +1000; 20 mA between 20 and 2000 counts greater than 4 mA display. Two point linear display span
<b>Maximum Voltage Drop</b>	4 VDC @ 20 mA with loop-powered back-light
<b>Input Overload</b>	Over current protection to 2 A max



### ORDERING INFORMATION

Part Number	Description
<b>LPM100</b>	Loop Powered Process Meter with Back-light
<b>LPMA002</b>	Pipe mount kit for LPM100 (stainless steel U-Bolt)