

pH & ORP ELECTRODES FOR ONLINE PROCESS MONITORING



Reliable performance in demanding applications

Double junction prevents reference contamination

Easy installation for various online monitoring systems

Suitable for use in a range of chemical environments

One year limited warranty

Our S272 series of pH and ORP sensors deliver reliable online monitoring for in-line or submersion installation configuration. Double-junction reference extends sensor lifetime by preventing contamination of the reference with sample components that interact with Silver (Ag). Minimal maintenance required due to the flat glass measurement surface, which also reduces the threat of measurement surface breakage. A versatile sensor for moderate and multi-purpose applications. S272 sensors come with a fully integrated cable assembly, and automatic temperature compensation is available for applications where it is required.

RECOMMENDED APPLICATIONS INCLUDE:

- Chemical processing
- Industrial water treatment
- Potable water systems
 - Boiler feedwater
- Municipal wastewater plants

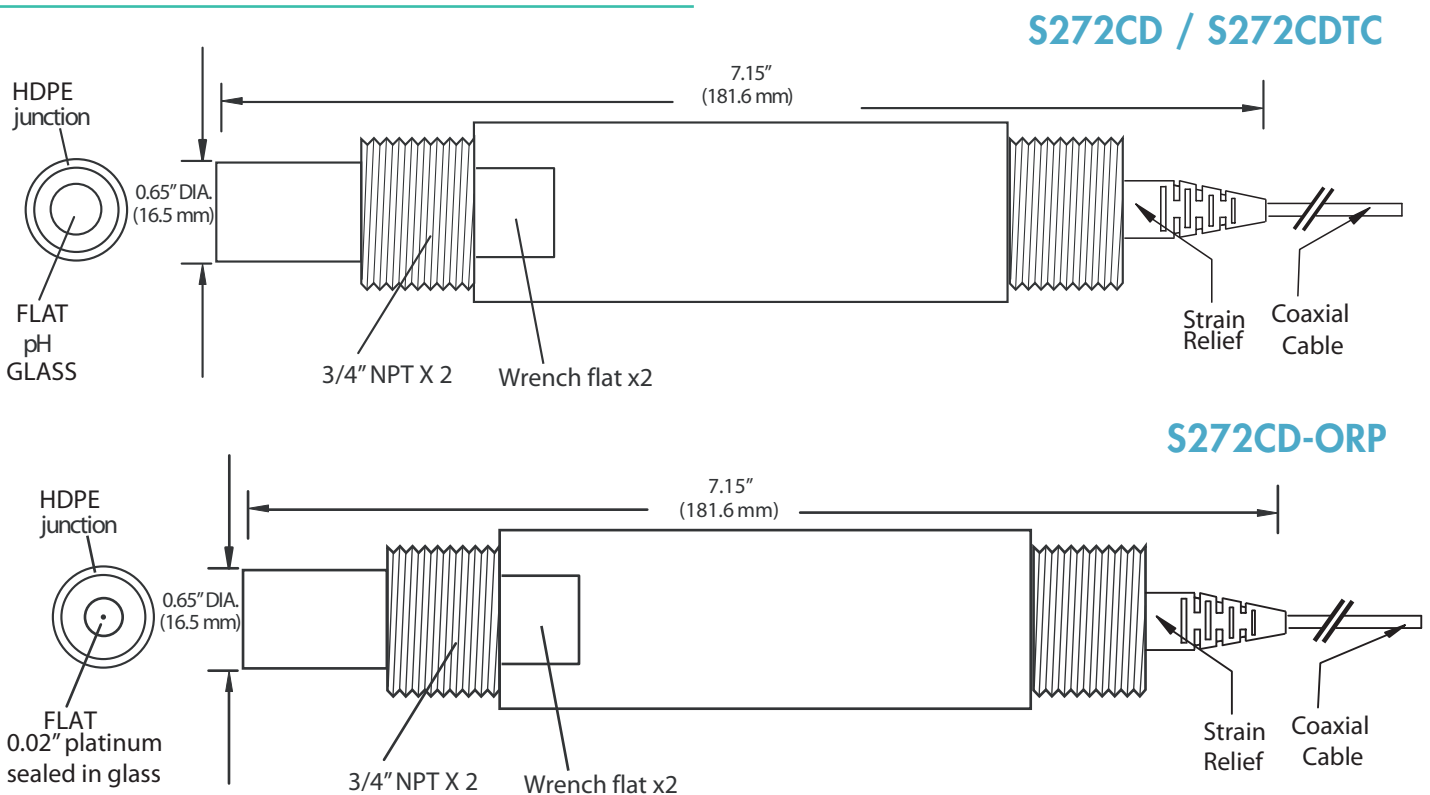
PARTS COVERED BY THIS SPECIFICATION SHEET:

- S272CD
- S272CDTC
- S272CD-ORP

SPECIFICATIONS

pH Measurement Range	0 - 14 pH (Sodium ion error when 12.3 > pH)
ORP Measurement Range	± 2000mV
Body Material	Ryton® Polyphenylene Sulfide (PPS)
Temperature Range	0-100°C (32-212°F)
Pressure Maximum	100 psig
Cable Length/Connector	3m (10ft) or 6m (20ft) Standard or Custom (by request) BNC or Tinned Leads Standard or Custom (by request)
Process Connection	3/4" NPT Threaded

OUTLINE AND DIMENSIONS



ORDERING INFORMATION

Part Number	Description
S272CD	Ryton® body in-line pH electrode with 3 m cable, tinned tead or BNC connector
S272CDTC	Ryton® body in-line pH electrode with 3 m cable (built in ATC), tinned tead or BNC connector
S272CD-ORP	Ryton® body in-line ORP electrode with 3 m cable, tinned tead or BNC connector