



CS665 Steam-Sterilizable Contacting Conductivity Sensor

Ideal for Sanitary Installation

- 1.5" and 2" tri-clamp options
- Made from 316 Stainless Steel

Accurate Measurements

- Select from three cell constants based on your measurement range
- Use temperature compensation for best performance

Designed to Withstand CIP and Steam Sterilization Process



CS665 K=1.0, 0.1



CS665 K= 0.01

Specifications

Temperature Rating	130° C (266° F)
Temperature Compensation	<ul style="list-style-type: none">• Pt1000 RTD• Pt100 RTD
Wetted Materials	<ul style="list-style-type: none">• 316 Stainless Steel• Teflon• EPDM
Surface Finish	Min RA20
Cell Constants	<ul style="list-style-type: none">• 0.01 cm⁻¹• 0.1 cm⁻¹• 1.0 cm⁻¹ <p>See ordering information for more details.</p>

DESIGNED IN CALIFORNIA

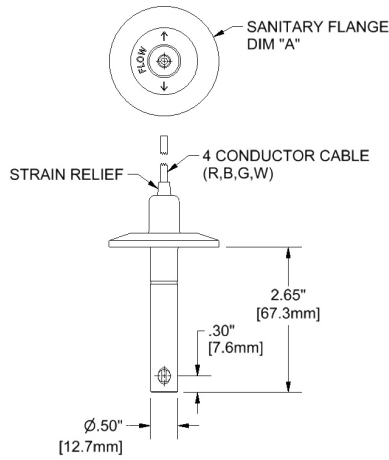
ASSEMBLED IN CALIFORNIA AND CZECH REPUBLIC

11751 MARKON DRIVE • GARDEN GROVE, CA 92841 • 714.895.4344 • WWW.SENSOREX.COM

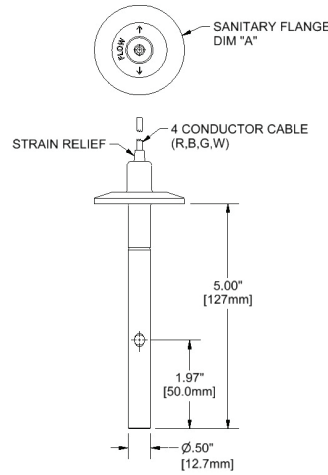
© Sensorex Corporation. All rights reserved. In the interest of improving and updating its equipment, Sensorex reserves the right to alter specifications to equipment at any time.



CS665 Steam-Sterilizable Contacting Conductivity Sensor



CS665 K=1.0, 0.1



CS665 K= 0.01

MODEL # CS665

Description

CELL CONSTANT

- 0.01/cm
- 0.1/cm
- 1.0/cm
- Custom Modification (customer-specified)

TEMPERATURE COMPENSATION

- PT1000 RTD
- PT100 RTD

CABLE LENGTH

- 10-ft. (3m) Cable, Standard Four-Wire Cable

CABLE TERMINATION CONNECTOR

- Tinned Leads

BRANDING

- Sensorex-Branded
- No Branding
- Custom Modification (customer-specified)

INSTALLATION / FITTING TYPE

- 1.5" Flange Stainless Steel
- 2.0" Flange Stainless Steel

Code **X X X X X X**

A
B
C
M

1
2

BC

3

A
B
M

7
8

For example, choosing "0.1/cm" under Cell Constant would be **B**, "PT1000 RTD" for Temperature Compensation would be **1**, "10 feet (3m), Standard Four-Wire Cable" under Cable Length would be **BC**, "Tinned Leads" under Cable Termination Connector would be **3**, "Sensorex-Branded" under Branding would be **A**, and "1.5" NPT Stainless Steel" under Installation/Fitting Type would be **7**. The order code would then be "**CS665 - B - 1 - BC - 3 - A - 7**".

DESIGNED IN CALIFORNIA

ASSEMBLED IN CALIFORNIA AND CZECH REPUBLIC

11751 MARKON DRIVE • GARDEN GROVE, CA 92841 • 714.895.4344 • WWW.SENSOREX.COM

© Sensorex Corporation. All rights reserved. In the interest of improving and updating its equipment, Sensorex reserves the right to alter specifications to equipment at any time.