



Large LCD screen for easy reading

Isolated 4-20 mA analog output

Automatic temperature compensation

Flexible mounting options

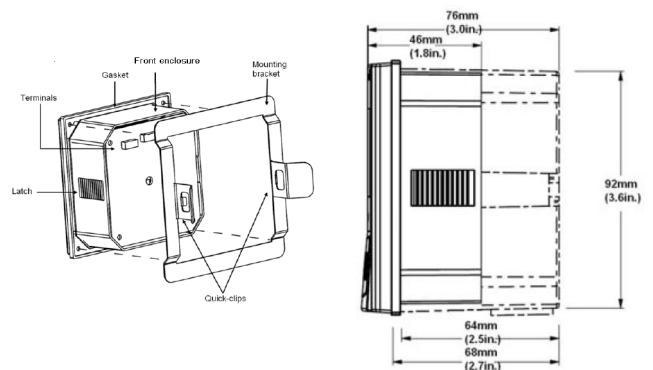
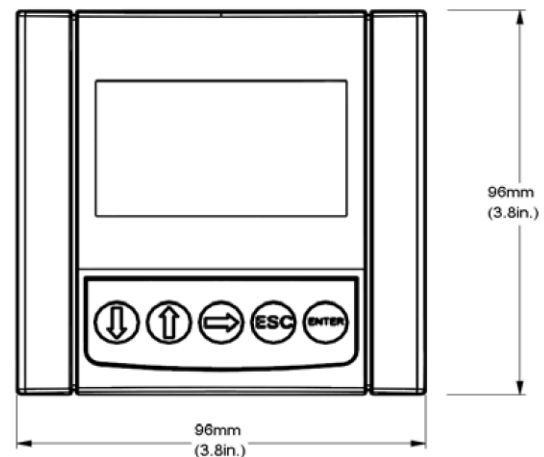
Our TX105 is an isolated output 4-20mA industrial transmitter for reading pH or ORP sensors. Easily power the unit with available two-wire power supply loop. Ideal for connecting to a PLC for advanced control systems. Versatile mounting options for wall or panel mount. With a dual display LCD, monitoring both the measuring value and the temperature is simple. The TX105 is CE certified.

SPECIFICATIONS

Measuring Range pH	0.00-14.00
Measuring Range ORP	-2000 to +200mV
Accuracy	+/- 0.5% of reading
Repeatability	+/- 0.05% of span
Temperature Drift	Zero and Span: +/-0.02% of span per °C
Power	19-48 VDC, regulated, 30 mA max
Current Output	Isolated 4-20 mA output with 0.004 mA (12-bit) resolution Update rate: 1 second Max Loop Impedance: 250 Ω at 24 V; 600 Ω at 31 C; 1500 Ω at 48 V
Display	LCD: 128*65 dot matrix, figure or alphabet: 12x8, 28x15, 32x18, etc
Contrast	User selected, 5 levels
Memory	Non-volatile: all user settings are retained indefinitely without battery backup
IP Rating	IP65
Operating Temperature	-10 °C to 70 °C (14 °F to 158 °F); 0-95% relative humidity, non-condensing
Temperature Compensation	Automatic, PT1000 RTD
Calibration	1 point
Weight	0.84 lbs (381 g)

ORDERING INFORMATION

Part Number	Description
TYX105	pH/mV Transmitter
TX105A	Panel Mount Bracket (sold separately from TX105)



SPECSTX105-04252024