



Reduce Maintenance Time and Increase Process Visibility

- Communicates directly via 4-20mA or Modbus output
- Configuration and calibration CAN BE done with free software

Resistant to Corrosion, Coating, and Fouling

- Noryl body has a wide solvent tolerance temperature stability
- Can be installed in both in-line and submersion applications

Wide Measurement Range

- Can measure conductivity from 0 - 2,000,000 μS

SPECIFICATIONS

Measuring Range	0-2,000,000 $\mu\text{S}/\text{cm}$ (mA) 0-100,000 $\mu\text{S}/\text{cm-R1}$, 0-2,000,000 $\mu\text{S}/\text{cm-R1}$
Body Material	Noryl
Max Temperature	105°C (*If used with FC95C flow cell, maximum temperature is 80°C)
Max Pressure	150 psig
Temperature Compensation	Pt1000 RTD
Cable	4 conductor, red(V+), black(V-), white(Modbus 485 A), green(Modbus 485 B) 10ft, 20ft, 33ft or custom length
Process Connection	3/4" MNPT for submersion, 2" slip fitting with FC95C flow cell
Response Time	>10 sec
Resolution, Cond.	2 μS or 0.1%, whichever is greater
Accuracy, Cond.	10 μS or 2%, whichever is greater
Resolution, Temp.	0.05°C
Accuracy, Temp.	0.5°C typical 1.0°C max.
Accuracy, Loop Current	32 μA
Power Supply	Modbus mode 7V- 40VDC, 4-20mA mode 24-32VDC .

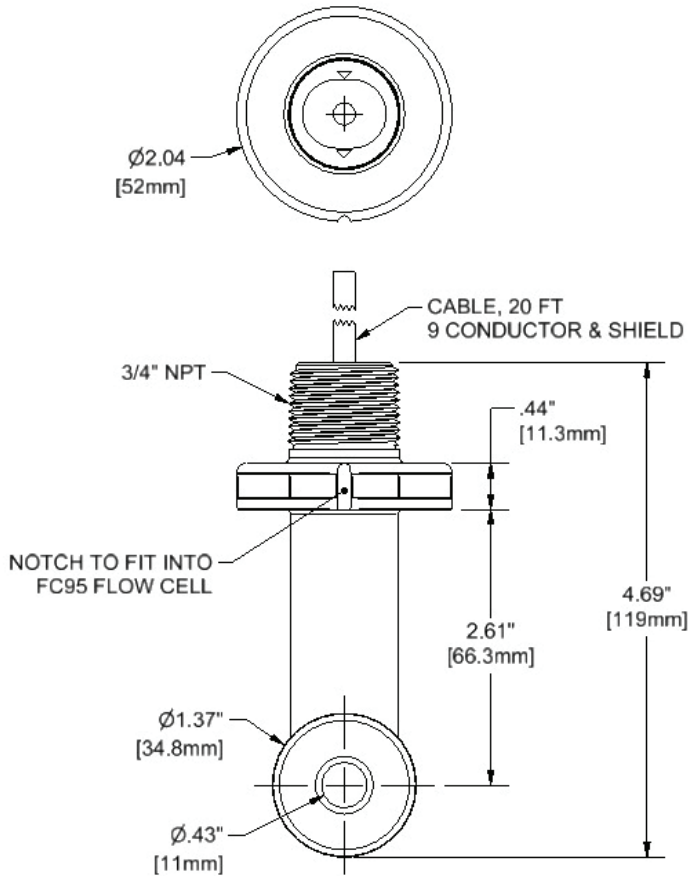
DESIGNED IN CALIFORNIA

ASSEMBLED IN CALIFORNIA AND CZECH REPUBLIC

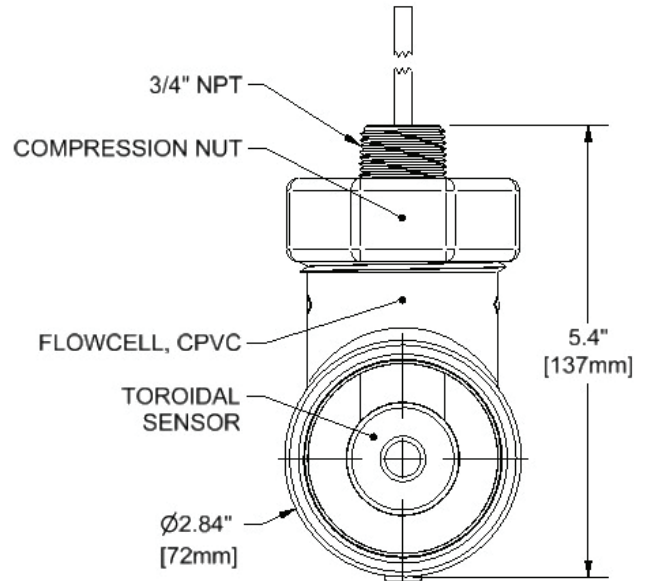
11751 MARKON DRIVE • GARDEN GROVE, CA 92841 • 714.895.4344 • WWW.SENSOREX.COM

© Sensorex Corporation. All rights reserved. In the interest of improving and updating its equipment, Sensorex reserves the right to alter specifications to equipment at any time.

iTCS3020 - Outline and Dimensions



iTCS3020 Installed in FC95C - Outline and Dimensions



DESIGNED IN CALIFORNIA

ASSEMBLED IN CALIFORNIA AND CZECH REPUBLIC

11751 MARKON DRIVE • GARDEN GROVE, CA 92841 • 714.895.4344 • WWW.SENSOREX.COM

© Sensorex Corporation. All rights reserved. In the interest of improving and updating its equipment, Sensorex reserves the right to alter specifications to equipment at any time.

ORDERING INFORMATION

MODEL # ITCS3020

Description

COMMUNICATION PROTOCOL

- 4-20mA
- Modbus Output, 12 VDC
- Modbus Output, 24 VDC
- Modbus, 5-40V
- No output, for use with SSRE only

MEASUREMENT RANGE

- Low Range (0 – 100,000 uS)
- High Range (0 – 2,000,000 uS)
- Custom Modification (*customer-specified*)

TEMPERATURE COMPENSATION

- PT1000RTD
- Custom Modification (*customer-specified*)

CABLE LENGTH

- 10 ft. (3m)
- 20 ft. (6m)
- 33 ft. (10m)
- Custom Modification (*customer-specified*)
- Process 6 Conductor Cable with Shields

CABLE TERMINATION CONNECTOR

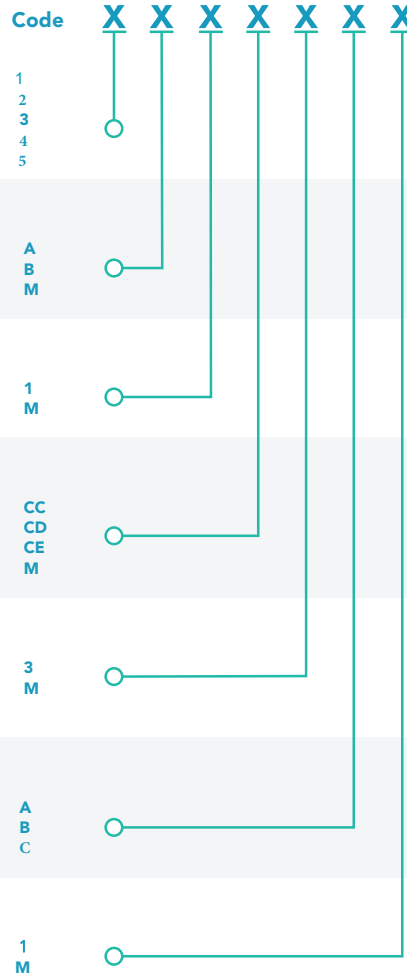
- Tinned Leads
- Custom Modification (*customer-specified*)

BRANDING

- Sensorex-Branded
- No Branding
- Custom Modification (*customer-specified*)

INSTALLATION / FITTING TYPE

- 3/4" MNPT and 2" Flange for FC95C (*sold separately*)
- Custom Modification (*customer-specified*)



For example, choosing "PT1000RTD" for Temperature Compensation would be **1**, "10 feet (3m)" for Cable Length would be **CC**, "Tinned Leads" under Cable Termination Connector would be **3**, "Sensorex-Branded" under Branding would be **A**, and "3/4" MNPT and 2" Slip Fitting" under Installation/Fitting Type would be **1**. The order code would then be **ITCS3020 - 1 - CC - 3 - A - 1**.

DESIGNED IN CALIFORNIA

ASSEMBLED IN CALIFORNIA AND CZECH REPUBLIC

11751 MARKON DRIVE • GARDEN GROVE, CA 92841 • 714.895.4344 • WWW.SENSOREX.COM

© Sensorex Corporation. All rights reserved. In the interest of improving and updating its equipment, Sensorex reserves the right to alter specifications to equipment at any time.