

# CLD 502, CLD505 AND CLD510 CHLORINE DIOXIDE SENSORS

## PRODUCT SPECIFICATION SHEET

CLD502, CLD-505  
& CLD510 SENSORS



FC72 FLOW CELL



OPTIONAL  
FM001  
FLOW METER



Amperometric Sensor Technology

Real Time Continuous Measurement

Ranges 0-2 or 0-10ppm

Built-In Temperature Compensation

Large Electrolyte Reservoir

Replaceable Membrane and Electrolyte

The CLD series (chlorine dioxide sensors) feature amperometric measurement technology. Designed for disinfection applications in water treatment, for use with chlorine dioxide, pools, etc., these sensors are available in two ranges for detecting ppm level of chlorine dioxide. Choose the CLD502 for 0-2ppm and CLD510 for 0-10ppm of chlorine dioxide.

*Typical applications include:*

- Industrial wastewater
- Cooling water
- Bottle Rinsing
- Irrigation water in agriculture

Sensors output a 4-20mA signal scaled to 0-2, 0-5, or 0-10ppm. Membrane cap and fill solution are easily replaceable to maximize sensor life.

Sensors can be used in new installations with Sensorex flow cell or installed as replacement for other 4-20mA output ClO<sub>2</sub> sensors. (Consult Sensorex for compatibility).

An optional flow meter (FM001) is available to help provide consistent flow for added system stability.

## SPECIFICATIONS

<b>Measuring Range</b>	0-2 (CLD-502), 0-5 (CLD-505) or 0-10ppm (CLD-510) ClO
<b>pH Range</b>	4-11
<b>Body Material</b>	PVC
<b>Membrane Cap Material</b>	PVC housing, Proprietary Membrane
<b>Temperature Range</b>	0-45 Degrees C
<b>Maximum Pressure</b>	14.7 psig (1 Bar)
<b>Specification</b>	Ut es maior aliquam vel molorei catem
<b>Temp Comp</b>	Integrated
<b>Cable Length</b>	10 feet 2 conductors, tinned leads
<b>Process Connection</b>	flow cell 1/4 inch FNPT threads
<b>Output</b>	4-20mA
<b>Flow Range</b>	Min 0.2 gpm (45 l/hr), Max 0.6 gpm (135 l/hr)
<b>Supply Voltage</b>	12-24V DC, 250 mA minimum
<b>Cross Sensitivity</b>	Ozone, monochloramine

PARTS COVERED BY THIS PRODUCT DATA SHEET INCLUDE:  
CLD502, CLD510, FCLA-5015 THRU FCLA-5018, FC72, FM001

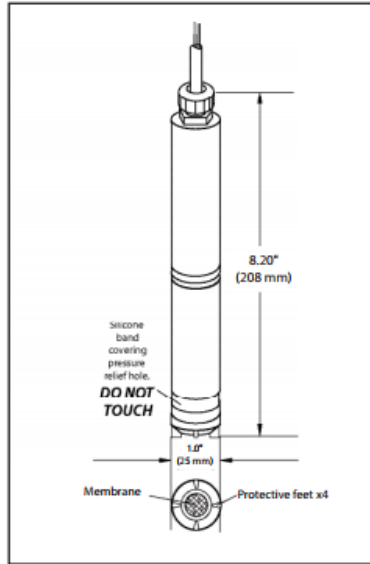
DESIGNED AND ASSEMBLED IN CALIFORNIA, USA

11751 MARKON DRIVE • GARDEN GROVE, CA 92841 • 714.895.4344 • WWW.SENSOREX.COM

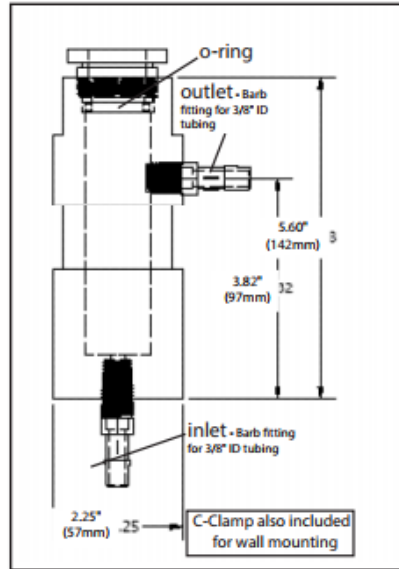
© Sensorex Corporation. All rights reserved. In the interest of improving and updating its equipment, Sensorex reserves the right to alter specifications to equipment at any time.

# CLD502, CLD505 AND CLD510 CHLORINE DIOXIDE SENSORS

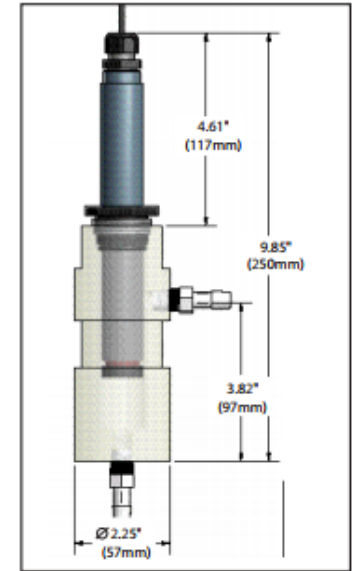
**SENSOR DIMENSIONS**



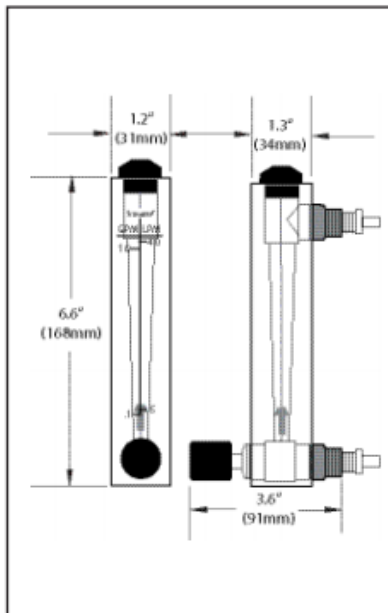
**FC72 FLOW CELL DIMENSIONS**



**SENSOR AND FLOW CELL INSTALLATION DIMENSIONS**



**FLOW METER FM001 DIMENSIONS**



## ORDERING INFORMATION

<b>CLD502</b>	0-2 ppm ClO <sub>2</sub> 4-20mA sensor, includes 2 replacement cap, 2 each 30 mL refill 3 each cathode polishing squares & 2 each pressure relief band
<b>CLD505</b>	0-5 ppm ClO <sub>4</sub> 4-20mA sensor, includes 2 replacement cap, 2 each 30mL refill 3 each cathode polishing squares & 2 each pressure relief band
<b>Accessories</b>	
<b>FC72</b>	Flow cell, 1/4" FNPT inlet and outlet, includes 2 each 1/4" NPT barbed tube fittings for 3/8" ID tubing
<b>CLDA-5015</b>	ClO <sub>2</sub> fill solution, 30mL, 2 each
<b>CLDA-5016</b>	CLD sensor replacement membrane cap, 1 each, pressure relief band, 1 each
<b>CLDA-5017</b>	3 each cathode polishing squares
<b>CLDA-5018</b>	Maintenance kit for CLDS series sensors includes: 1 replacement cap, 2 each 30mL refill, 3 each cathode polishing squares & 1 each pressure relief band
<b>FM001</b>	Flow meter, 0.1-1.0 gpm (0.5-4.0 Lpm) range, 1/4" FNPT & 1/2" MNPT threads plus (2x) 3/8" tube fittings

**DESIGNED AND ASSEMBLED IN CALIFORNIA, USA**

11751 MARKON DRIVE • GARDEN GROVE, CA 92841 • 714.895.4344 • WWW.SENSOREX.COM

© Sensorex Corporation. All rights reserved. In the interest of improving and updating its equipment, Sensorex reserves the right to alter specifications to equipment at any time.