

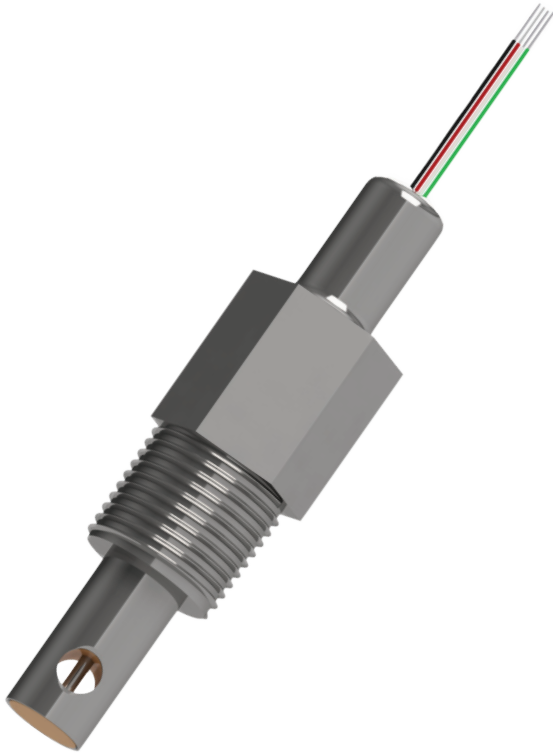
## General-Purpose Sensor for Use in a Variety of Applications

- Cooling towers
- Demineralizer influent

---

## Robust Single-Body Design

- 1/2" NPT Stainless Steel
- Hexagonal body shape for ease of installation



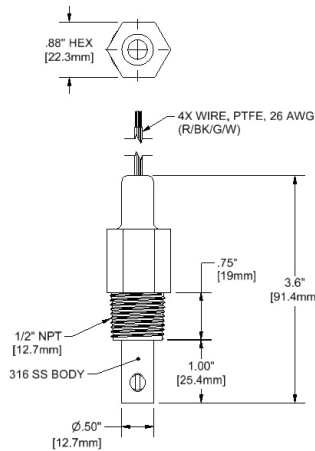
## Specifications

Temperature / Pressure Rating	<ul style="list-style-type: none"><li>• 100° C (212° F)</li><li>• 100 psig</li></ul>
Temperature Compensation	See ordering matrix.
Wetted Materials	<ul style="list-style-type: none"><li>• 316 Stainless Steel</li><li>• PEEK</li></ul>
Cell Constants	0.1cm <sup>-1</sup> and 1.0cm <sup>-1</sup>

DESIGNED IN CALIFORNIA

ASSEMBLED IN CALIFORNIA AND CZECH REPUBLIC

11751 MARKON DRIVE • GARDEN GROVE, CA 92841 • 714.895.4344 • WWW.SENSOREX.COM  
© Sensorex Corporation. All rights reserved. In the interest of improving and updating its equipment, Sensorex reserves the right to alter specifications to equipment at any time.



**CS650**

## Model # CS650 Ordering Matrix

### Description

#### CELL CONSTANT

- 0.1/cm
- 1.0/cm
- Custom Modification (*customer-specified*)

#### TEMPERATURE COMPENSATION

- No Selection
- PT1000
- Custom Modification (*customer-specified*)

#### CABLE LENGTH

- 6" (15 cm) Wires ●
- 10 ft. (3m) ●
- 6" (15 cm) Wires ●
- 10 ft. (3m) ●
- Custom Modification (*customer-specified*)

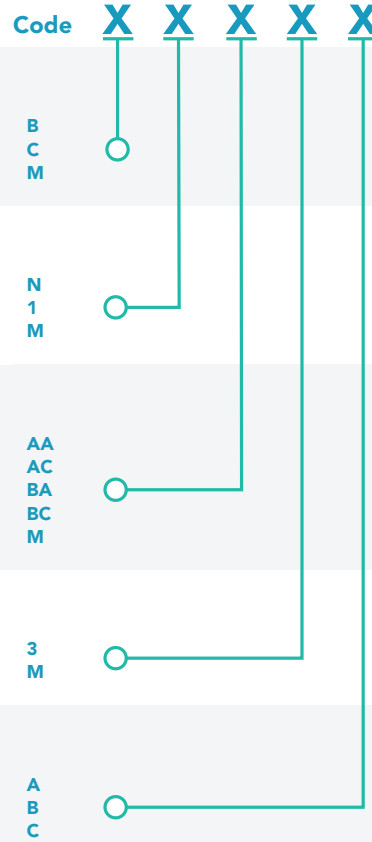
- Two-Wire Cable. COMPATIBLE with "N" under Temperature Compensation.
- Standard Four-Wire Cable. NOT COMPATIBLE with "N" under Temperature Compensation.

#### CABLE TERMINATION CONNECTOR

- Tinned Leads
- Custom Modification (*customer-specified*)

#### BRANDING

- Sensorex-Branded
- No Branding
- Custom Modification (*customer-specified*)



For example, choosing "0.1/cm" under Cell Constant would be **B**, "PT1000" for Temperature Compensation would be **1**, "6" (15 cm) Wires" with the green "Two-Wire Cable" designator under Cable Length would be **AA**, "Tinned Leads" under Cable Termination Connector would be **3**, and "Sensorex-Branded" under Branding would be **A**. The order code would then be **"CS650 - B - 1 - AA - 3 - A"**.

**DESIGNED IN CALIFORNIA**

**ASSEMBLED IN CALIFORNIA AND CZECH REPUBLIC**

11751 MARKON DRIVE • GARDEN GROVE, CA 92841 • 714.895.4344 • WWW.SENSOREX.COM

© Sensorex Corporation. All rights reserved. In the interest of improving and updating its equipment, Sensorex reserves the right to alter specifications to equipment at any time.