



CS675 High-Temp & Pressure Stainless Steel Contacting Conductivity Sensor



Extended Length version shown above.

Ideal for Heavy-Duty Applications

- Made from 316 Stainless Steel and PEEK
- Robust single-body design

Multiple Cell Constants, Temperature/ Pressure Ratings, and Insertion Lengths

- Two options for cell constants: 0.1 cm⁻¹ and 1.0 cm⁻¹
- Three options for increasing temperature and pressure ratings
- Two options for insertion lengths: standard and extended

Ultra-High Temperature Version Ideal for Boiler Applications

Specifications

Temperature / Pressure Rating

See ordering matrix.

Wetted Materials

- 316 Stainless Steel and PEEK® Insulator
- AFLAS® O-ring for 200° C (392° F) and 250 psig
- Perfluoro O-ring for 250° C (482° F) and 600 psig

Cell Constants

0.1/cm and 1.0/cm (see ordering information for additional details)

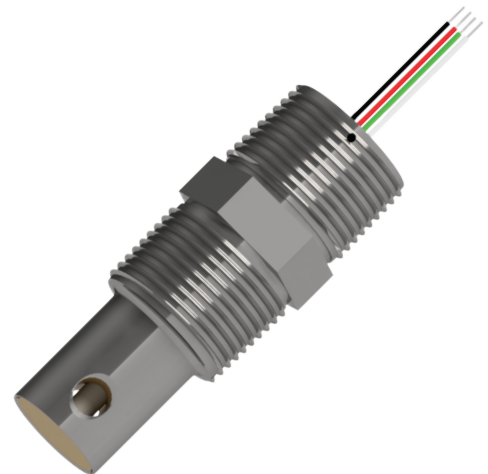
Wire Leads

- PVC-jacketed four-wire cable for option "C" under temperature and pressure rating (see ordering matrix)
- PTFE-coated wire for options "H" and "J" under temperature and pressure rating (see ordering matrix)

Wire Designations

- Red = Body
- Black = Center Pin
- Green/White = Temperature (if applicable)

PEEK is a registered trademark of Victrex Manufacturing Ltd.
AFLAS is a registered trademark of Asahi Glass Company.



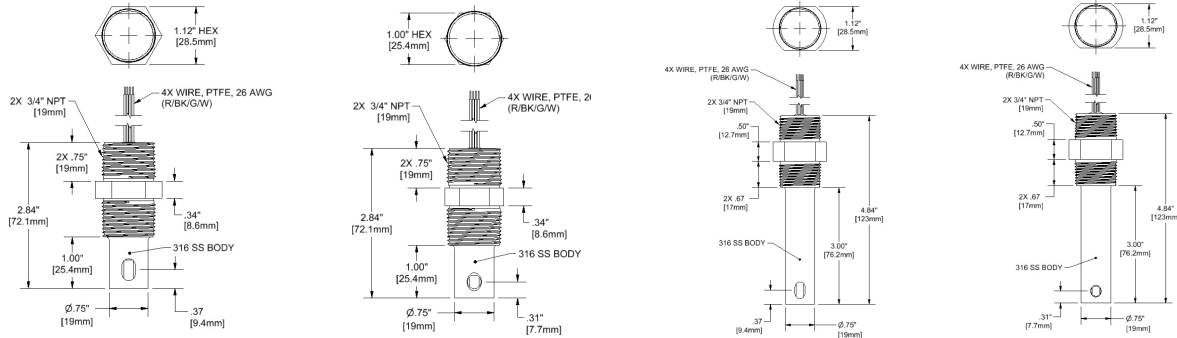
Standard Length version shown above.

DESIGNED IN CALIFORNIA

ASSEMBLED IN CALIFORNIA AND CZECH REPUBLIC

11751 MARKON DRIVE • GARDEN GROVE, CA 92841 • 714.895.4344 • WWW.SENSOREX.COM

© Sensorex Corporation. All rights reserved. In the interest of improving and updating its equipment, Sensorex reserves the right to alter specifications to equipment at any time.



MODEL # CS675

Description

CELL CONSTANT

- 0.1/cm
- 1.0/cm
- Custom Modification (customer-specified)

TEMPERATURE COMPENSATION

- No Selection
- PT1000 RTD
- PT100 RTD
- Custom Modification (customer-specified)

CABLE LENGTH

- 6" (15.24cm) Wires ●
 - 10-ft. Cable (3m) ●
 - 20-ft. Cable (6m) ●
 - 33-ft. Cable (10m) ●
 - 6" (15.24cm) Wires ●
 - 10-ft. Cable (3m) ●
 - 20-ft. Cable (6m) ●
 - 33-ft. Cable (10m) ●
 - Custom Modification (customer-specified)
- Standard Two-Wire Cable. Only compatible with "N" under Temperature Compensation.
● High-Temperature Four-Wire Cable. NOT compatible with "N" under Temperature Compensation.

CABLE TERMINATION CONNECTOR

- Tinned Leads
- Custom Modification (customer-specified)

BRANDING

- Sensorex-Branded
- No Branding
- Custom Modification (customer-specified)

FITTING MATERIAL

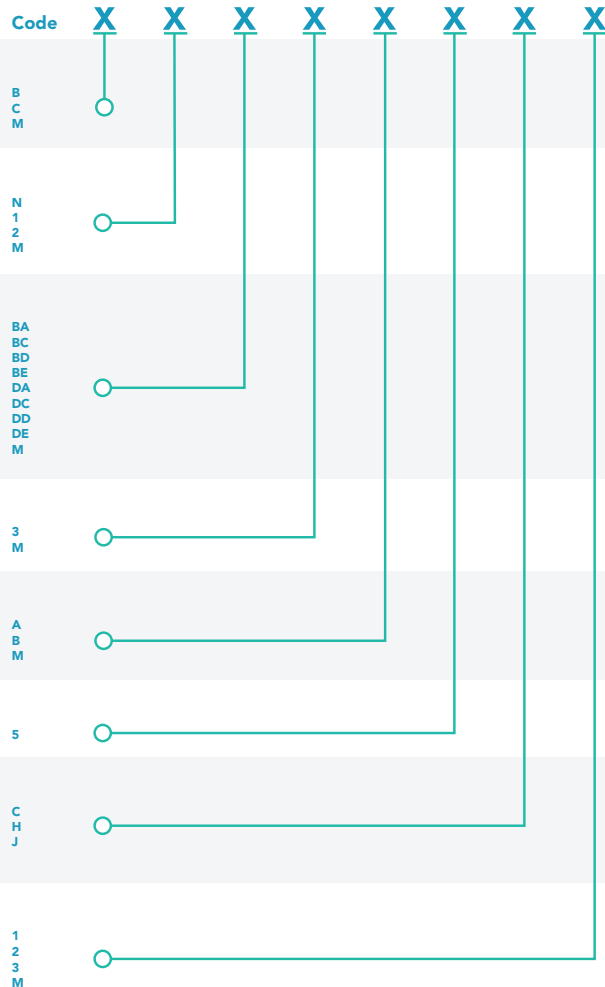
- 3/4" NPT Stainless Steel

TEMPERATURE AND PRESSURE RATING

- 0 - 100° C (32 - 212° F) and 0 - 200 psig
- 0 - 200° C (32 - 392° F) and 0 - 250 psig (not available with cable options "BA" to "BE")
- 0 - 250° C (32 - 482° F) and 0 - 600 psig (only available for Cell Constant "C" and not compatible with cable options "BA" to "BE")

INSERTION LENGTH

- Standard Length for 0.1 Cell Constant (not available with "J" option under Temperature and Pressure Rating)
- Standard Length for 1.0 Cell Constant
- Extended Length (not available with "J" option under Temperature and Pressure Rating)
- Custom Modification (customer-specified)



For example, choosing "0.1/cm" under Cell Constant would be **B**, "PT1000 RTD" for Temperature Compensation would be **1**, "10 feet (3m)" with the blue option of "Standard 4-Wire Cable" under Cable Length would be **BC**, "Tinned Leads" under Cable Termination Connector would be **3**, "Sensorex-Branded" under Branding would be **A**, "3/4" NPT Stainless Steel" under Installation/Fitting Type would be **5**, and "0 - 100° C (32 - 212° F) and 0 - 200 psig" under Temperature and Pressure Rating would be **C**. The order code would then be **"CS675 - B - 1 - BC - 3 - A - 5 - C"**.

DESIGNED IN CALIFORNIA

ASSEMBLED IN CALIFORNIA AND CZECH REPUBLIC

11751 MARKON DRIVE • GARDEN GROVE, CA 92841 • 714.895.4344 • WWW.SENSOREX.COM

© Sensorex Corporation. All rights reserved. In the interest of improving and updating its equipment, Sensorex reserves the right to alter specifications to equipment at any time.