

FCL502, FCL505 AND FCL510 FREE CHLORINE SENSORS

PRODUCT SPECIFICATION SHEET

FCL502, FCL505, & FCL510 SENSORS



FC72 FLOW CELL

OPTIONAL
FM001
FLOW METER

SPECIFICATIONS

Measuring Range	0-2, 0-5 or 0-10 ppm free chlorine
pH Range	5.5 - 8.5
Body Material	PVC
Membrane Cap Material	PVC housing, Proprietary Membrane
Temperature Range	0 - 45 Degrees C
Maximum Pressure	1 bar (bypass installation, open sample water outlet)
Temp Comp	Integrated
Cable Length	10 feet 2 conductors, tinned leads
Process Connection	flow cell 1/4 inch FNPT threads
Output	4-20mA
Flow Range	Min 0.2 gpm (45 l/hr), Max 0.6 gpm (135 l/hr)
Supply Voltage	12-24V DC, 250mA minimum
Cross Sensitivity	Chlorine dioxide, Ozone, bromine, iodine

Amperometric Sensor Technology

Real Time Continuous Measurement

Ranges: 0-2, 0-5 or 0-10ppm

Built-In Temperature Compensation

Large Electrolyte Reservoir

Replaceable Membrane and Electrolyte

The FCL series (free chlorine sensors) feature amperometric measurement technology. Designed for disinfection applications in water treatment, for pools, etc., these sensors are available in three ranges for detecting ppm level of free chlorine. Choose the FCL502 for 0-2ppm, FCL505 for 0-5ppm and FCL510 for 0-10ppm of free chlorine.

Typical applications include:

- Industrial wastewater
- Cooling water
- Bottle rinsing
- Irrigation water in agriculture

Sensors output a 4-20mA signal scaled to 0-2, 0-5 or 0-10ppm. Membrane cap and fill solution are easily replaceable to maximize sensor life.

Sensors can be used in new installations with Sensorex flow cell or installed as a replacement for other 4-20mA output free chlorine sensors (Consult with Sensorex for compatibility).

An optional flow meter (FM001) is available to help provide consistent flow for added system stability.

**PARTS COVERED BY THIS PRODUCT DATA SHEET INCLUDE:
FCL502, FCL505, FCL510, FCL-5015 THRU FCLA-5018 FC72, FM001**

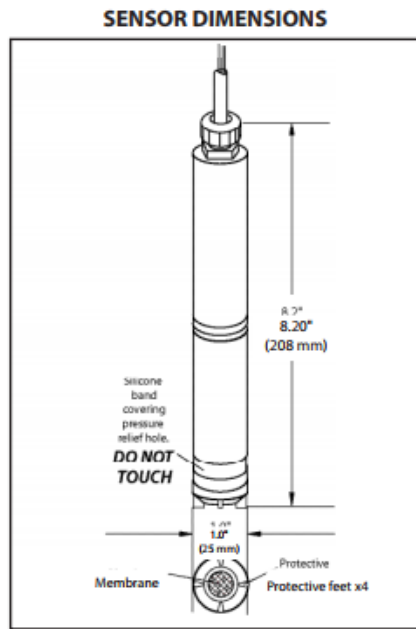
DESIGNED AND ASSEMBLED IN CALIFORNIA, USA

11751 MARKON DRIVE • GARDEN GROVE, CA 92841 • 714.895.4344 • WWW.SENSOREX.COM

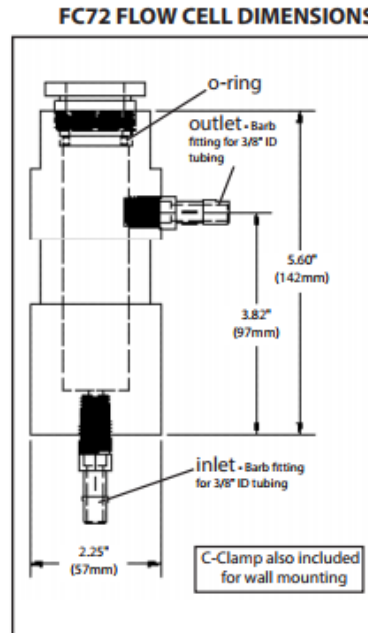
© Sensorex Corporation. All rights reserved. In the interest of improving and updating its equipment, Sensorex reserves the right to alter specifications to equipment at any time.



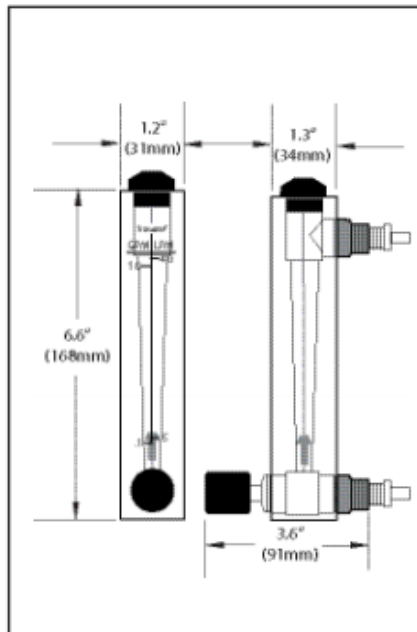
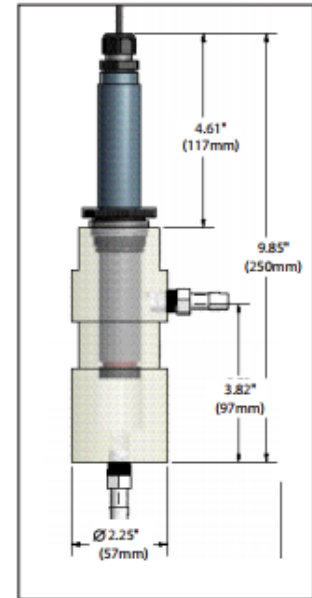
FCL502, FCL505 AND FCL510 FREE CHLORINE SENSORS



FLOW METER FM001 DIMENSIONS



**SENSOR AND FLOW CELL
INSTALLATION DIMENSIONS**



ORDERING INFORMATION

FCL502	0-2 ppm Free Chlorine 4-20mA sensor, 2 replacement cap & band, 2 each 30mL refill, 3 pieces cathode polishing squares.
FCLD505	0-5 ppm Free chlorine 4-20mA sensor, 2 replacement cap & band, 2 each 30mL refill, 3 pieces cathode polishing squares.
FCLD510	0-10 ppm Free chlorine 4-20mA sensor, 2 replacement cap & band, 2 each 30mL refill, 3 pieces cathode polishing squares
Accessories	
FC72	Flow Cell, 1/4" FNPT inlet and outlet, includes 2 each 1/4" NPT barbed tube fittings for 3/8" ID tubing
FCLA-5015	FCL fill solution, 30mL, 2 each
FCLA-5016	FCL 5 Series sensor replacement membrane cap, 1 each, pressure relief band 1 each
FCLA-5017	3 each cathode polishing squares
FCLA-5018	Maintenance kit for FCL5 series sensors includes: 1 replacement cap, 2 each 30mL refill, 3 each cathode polishing squares & 1 each pressure relief band
FM001	Flow meter, 0.1-1.0 gpm (0.5-4.0 Lpm) range, 1/4" FNPT & 1/2 MNPT thread plus (2x) 3/8" tube fittings

DESIGNED AND ASSEMBLED IN CALIFORNIA, USA

17151 MARKON DRIVE • GARDEN GROVE, CA 92841 • 714.895.4344 • WWW.SENSOREX.COM

© Sensorex Corporation. All rights reserved. In the interest of improving and updating its equipment, Sensorex reserves the right to alter specifications to equipment at any time.