



### DIGITAL COMMUNICATION FOR MORE PROCESS VISIBILITY

#### Digital Communication for More Process Visibility:

- Modbus and 4-20 mA output options now available
- Configuration and calibration can be done using web based software

#### Customizable, Configurable, and Versatile

- Customizable packages reduce total cost of ownership!
- Only purchase the components you need
- Adapt the solution to your application requirements
- Available in 2 standard cable lengths: 10 and 20 feet

#### Reduce Maintenance and Downtime

- No tools or rewiring needed for replacing sensor cartridge
- Flat glass measurement surface reduces the threat of breakage
- Heavy duty high temperature reference gels offer protection against thermal breakdown
- PPS body allows for durability in a range of chemical environments
- ERP technology protects the reference cell and prevents contamination



pH & ORP sensor cartridges & quick change replacements



Electrode adapters with optional built-in ATC



Optional electronic modules - amplifier, transmitter



Cable assemblies - 10ft, 20ft or custom length

# BUILD YOUR S8000 MODULAR pH/ORP SYSTEM

## CABLE ASSEMBLY



S853, S855 or S856  
Cap Cable

## ELECTRONIC MODULE



EM800, EM801,  
EM805-MA, EM805-MB

## ELECTRODE ADAPTER



EA890

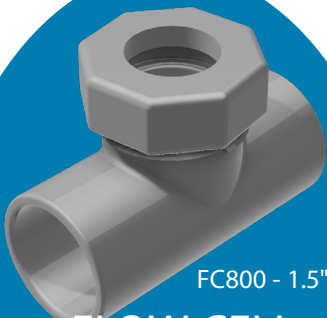


EA891



EA899 or  
EA899TC

## FC800 - 1.5" Slip FLOW CELL (inline only)



FC800 - 1.5" Slip



FC875/T - 3/4" NPT  
FC875/S - 3/4" SLIP

## ELECTRODE



S8000CD  
S8000CDHF  
S8000CD-LC  
S8000CD-ORP

SpecsS800011082023

DESIGNED AND ASSEMBLED IN CALIFORNIA, USA

11751 MARKON DRIVE • GARDEN GROVE, CA 92841 • 714.895.4344 • WWW.SENSOREX.COM

© Sensorex Corporation. All rights reserved. In the interest of improving and updating its equipment, Sensorex reserves the right to alter specifications to equipment at any time.

BUILD YOUR S8000  
MODULAR pH/ORP  
SYSTEM:  
USE YOUR OWN TEE

CABLE  
ASSEMBLY



ELECTRODE  
ADAPTER



ELECTRODE



ELECTRONIC  
MODULE



3/4" SCH 80  
TEE



SpecsS800011082023

DESIGNED AND ASSEMBLED IN CALIFORNIA, USA

11751 MARKON DRIVE • GARDEN GROVE, CA 92841 • 714.895.4344 • WWW.SENSOREX.COM

© Sensorex Corporation. All rights reserved. In the interest of improving and updating its equipment, Sensorex reserves the right to alter specifications to equipment at any time.

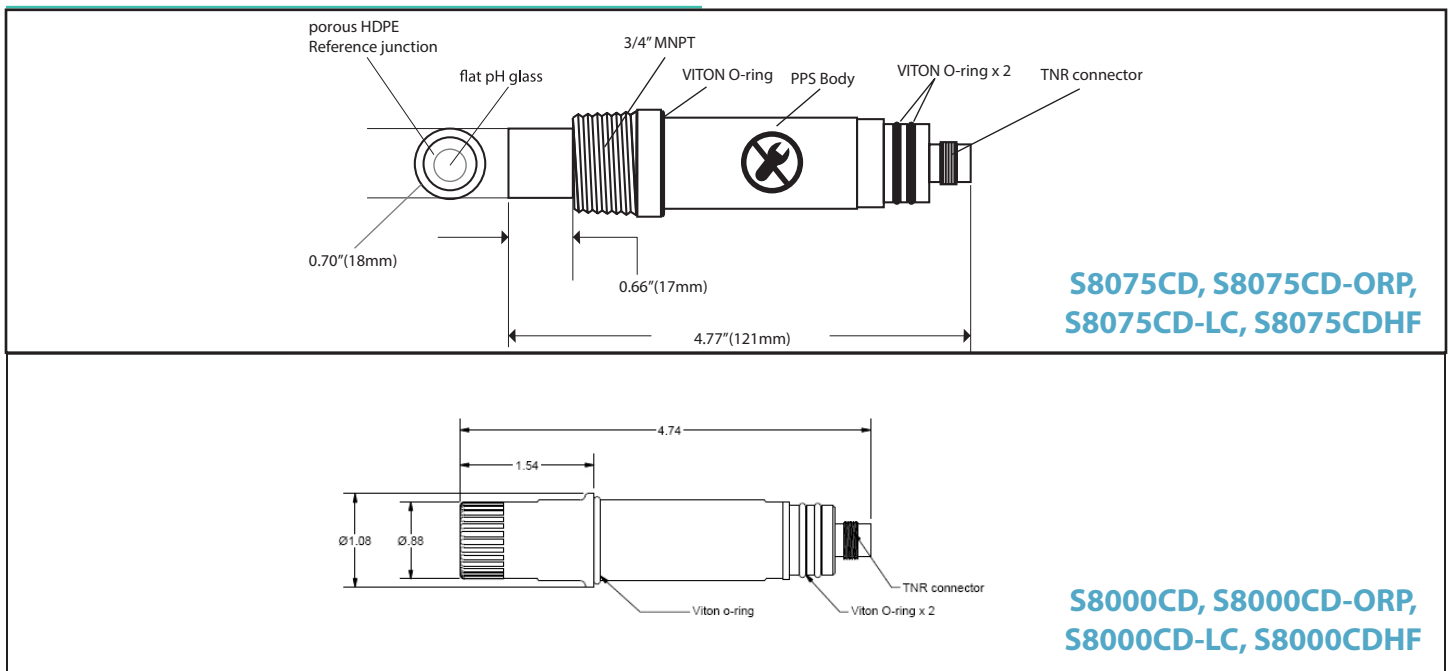
### SPECIFICATIONS

pH Range	0 - 14pH (0-12.3pH with low Na+ ion error)
Temperature Range	0-100°C, de-rated under pressure 0-80°C when mounted in flow cell 70°C with submerged electronic module
Pressure Range	0-100 psig (7.5 Bar), de-rated under temperature
Reference Type	Double Junction, Sensorex ERP System

### OPTIONAL MODELS

ORP Redox Electrode	-2000mV to +2000mV
HF Resistant pH Electrode	0-12pH, 0-50°C, <2% HF by volume
Low Ionic Models	For solutions of <100uS/cm conductivity
EM805-pH	0-14pH = 4-20mA, or Modbus 485
EM805-ORP	-1000 to +1000mV = 4-20mA, or Modbus 485

### OUTLINE AND DIMENSIONS



### pH & ORP ELECTRODE ORDERING INFORMATION

Part Number	Description
S8000CD	Flat surface pH electrode cartridge S8000 Series, Ryton body, double junction reference
S8000CD-ORP	Flat surface ORP electrode cartridge S8000 Series, Ryton body, double junction reference
S8000CDHF	Flat surface pH electrode cartridge S8000 Series, HF resistant, Ryton body, double junction reference
S8000CD-LC	Flat surface pH electrode cartridge S8000 Series, for low conductivity water (<100uS), Ryton body, double junction reference
S8000CD-HM	Flat surface pH electrode cartridge S8000 Series, for horizontal or inverted mounting, Ryton body, double junction reference
S8075CD	Flat surface pH electrode cartridge S8000 Series, Ryton body, double junction reference, integrated 3/4" NPT threads
S8075CD-ORP	Flat surface ORP electrode cartridge S8000 Series, Ryton body, double junction reference, integrated 3/4" NPT threads
S8075CDHF	Flat surface pH electrode cartridge S8000 Series, HF resistant, Ryton body, double junction reference, integrated 3/4" NPT threads
S8075CD-LC	Flat surface pH electrode cartridge S8000 Series, for low conductivity water (<100uS), Ryton body, double junction reference, integrated 3/4" NPT threads

SpecsS800011082023

DESIGNED AND ASSEMBLED IN CALIFORNIA, USA

11751 MARKON DRIVE • GARDEN GROVE, CA 92841 • 714.895.4344 • WWW.SENSOREX.COM

© Sensorex Corporation. All rights reserved. In the interest of improving and updating its equipment, Sensorex reserves the right to alter specifications to equipment at any time.

## ELECTRODE ADAPTER ORDERING INFORMATION

Part Number	Description
EA890	Electrode adapter, retrofits S8000 to S653 cable.
EA891	Electrode adapter, submersion mount or use with S8075CD, no temperature compensation. Use with cable S853 or S856.
EA899	Electrode adapter, submersion or in-line mount, no temperature compensation, with solution ground. Use with all cables.
EA899TC	Electrode adapter, submersion or in-line mount, with temperature compensation and solution ground. Use with all cables. Specify temperature compensation for use with S855. TC = P1k for S856

## ELECTRONIC MODULE ORDERING INFORMATION

Part Number	Description
EM800	Battery-powered, unity gain amplifier. Use for cable length >30ft only. Use with S853, or S855 cable when using EA899TC.
EM801	Battery-powered, differential amplifier. Requires Electrode adapter EA899 or EA899 TC. Use with S853 or S855 cables.
EM805-pH-MA	24V DC-powered, 4-20mA pH transmitter module. Requires Electrode adapter EA899TC/P1k or EA891 Use with S856 cable.
EM805-ORP-MA	24V DC-powered, 4-20mA ORP transmitter module. Requires Electrode adapter EA899 or EA891. Use with S856 cable.

## CABLE ASSEMBLY ORDERING INFORMATION

Part Number	Description
S853/10/"X"	Coaxial cable assembly for S8000 Series., 10ft cable length. Specify connector in place of "X"
S853/20/"X"	Coaxial cable assembly for S8000 Series., 20ft cable length. Specify connector in place of "X"
S855/10/"X"/"Y"	Coaxial cable assembly + 3 wire (R, G, B) S8000 Series, 10ft cable length. Specify pH connector in place of "X", TC connector in place of "Y"
S855/20/"X"/"Y"	Coaxial cable assembly + 3 wire (R, G, B) S8000 Series, 20ft cable length. Specify pH connector in place of "X", TC connector in place of "Y"
S856/10/TL/TL	Cable assembly, 4-wire (R,B,W,G) S8000 Series, 10ft for use with EM805 modules only
S856/20/TL/TL	Cable assembly, 4-wire (R,B,W,G) S8000 Series, 20ft for use with EM805 modules only

10ft and 20ft cables are in stock. Other cable lengths can be made. Consult Sensorex for details.  
Cable Connector Choices: BNC, Tinned lead ("-TL"), Spade Lug ("SL")

## FLOW CELL ORDERING INFORMATION

Part Number	Description
FC800	Flow cell, CPVC for S8000 Series. Fits EA899 or EA899TC electrode adapters, 1.5" Slip connection.
FC805	Flow cell, CPVC for S8000 Series. Fits EA899 or EA899TC electrode adapters, 1.0" FNPT
FC95C	Flow cell, CPVC for S8000 Series. Fits EA899 or EA899TC electrode adapters, 2.0" Slip connection.
FC806	Flow cell, CPVC for S8000 Series. Fits EA899 or EA899TC electrode adapters, 1.0" Slip connection.
FC875/T	Flow cell, CPVC for S8000 Series. Fits EA899 or EA899TC electrode adapters, 3/4" MNPT connection.
FC875/S	Flow cell, CPVC for S8000 Series. Fits EA899 or EA899TC electrode adapters, 3/4" slip/socket connection.

DESIGNED AND ASSEMBLED IN CALIFORNIA, USA

11751 MARKON DRIVE • GARDEN GROVE, CA 92841 • 714.895.4344 • WWW.SENSOREX.COM

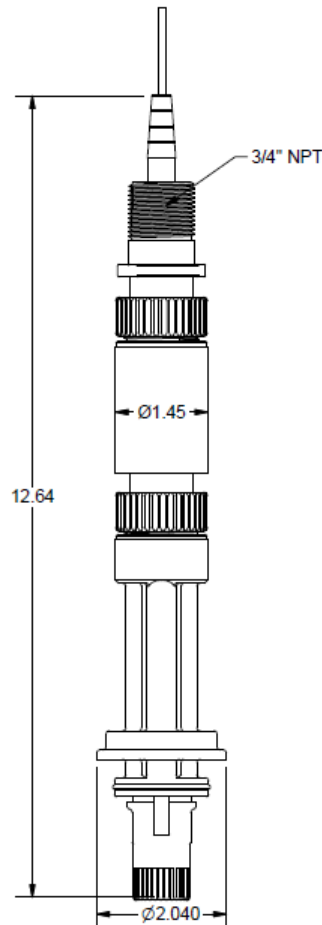
© Sensorex Corporation. All rights reserved. In the interest of improving and updating its equipment, Sensorex reserves the right to alter specifications to equipment at any time.

## PRE-CONFIGURED KITS ORDERING INFORMATION

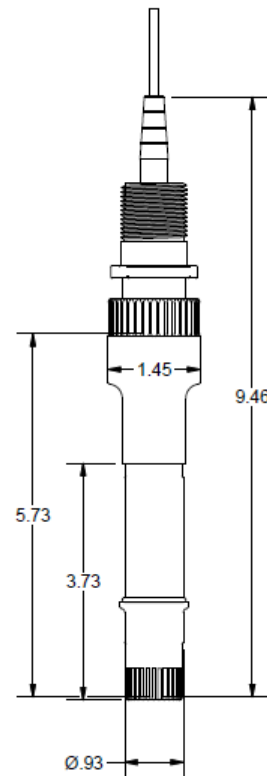
Part Number	Description
S8100/10/BNC	Kit, S8000CD + EA891 + S853/10/BNC (Submersion mount pH, no ATC), 10ft cable, BNC connector.
S8100-ORP/10/BNC	Kit, S8000CD-ORP + EA891 + S853/10/BNC (Submersion mount ORP), 10ft cable, BNC connector
S8100TC/10/BNC/TL	Kit, S8000CD + EA899TC/P1K + S855/10/BNC/TL (Submersion mount pH with ATC, 10ft cable, BNC connector, PT1000 TC type)
S8200/10/BNC	Kit, S8000CD + EA899 + FC800 + S853/10/BNC (In line pH, no ATC, 1.5" Flow cell, 10ft cable, BNC connector)
S8200-ORP/10/BNC	Kit, S8000CD-ORP + EA899 + FC800 + S853/10/BNC (In line ORP, 1.5" Flow cell, 10ft cable, BNC connector)
S8200TC/10/BNC/TL	Kit, S8000CD + EA899TC/P1K + S855/10/BNC/TL (In line mount pH with ATC, 1.5" Flow cell, 10ft cable, BNC connector, PT1000 TC type)
S8300/10/BNC	Kit, S8000CD + EA899 + FC875/T + S853/10/BNC (In line pH, no ATC, 3/4" Flow cell, 10ft cable, BNC connector)
S8300TC/10/BNC/TL	Kit, S8000CD + EA899TC/P1K + FC875/T + S855/10/BNC/TL (In line pH, with ATC, 3/4" Flow cell, 10ft cable, BNC connector, PT 1000TC type)

## OUTLINE AND DIMENSIONS

**S8000CD+ EA899TC+  
EM MODULE + Cable(sub-  
mersion with ATC)**



**S8000CD+ EA891+  
+ S853 Cable (submersion  
with no ATC)**



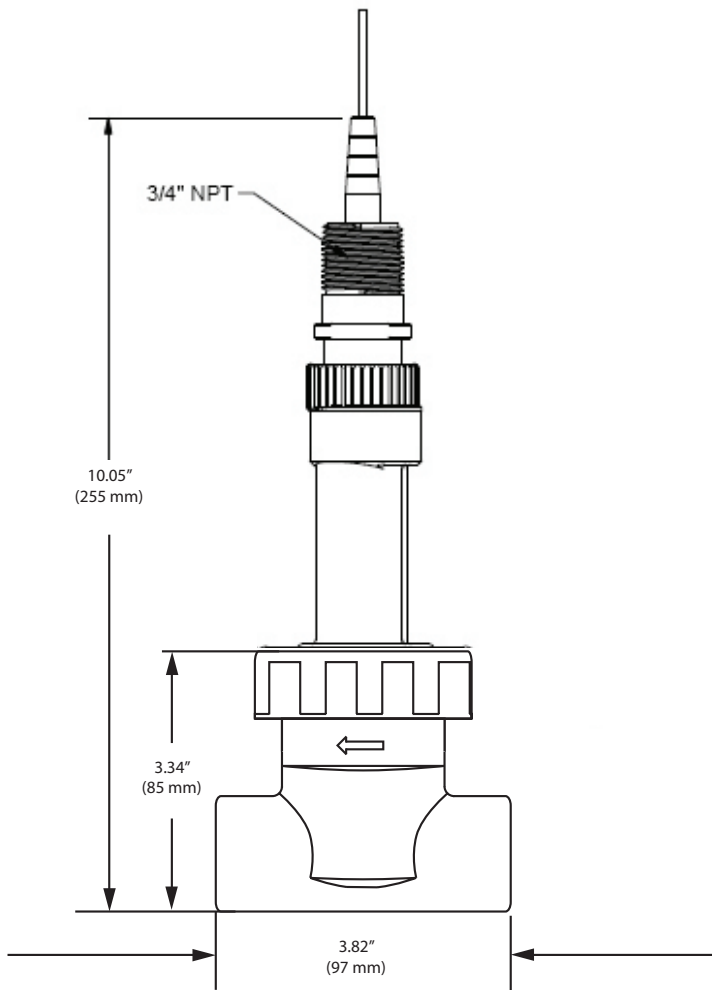
DESIGNED AND ASSEMBLED IN CALIFORNIA, USA

11751 MARKON DRIVE • GARDEN GROVE, CA 92841 • 714.895.4344 • WWW.SENSOREX.COM

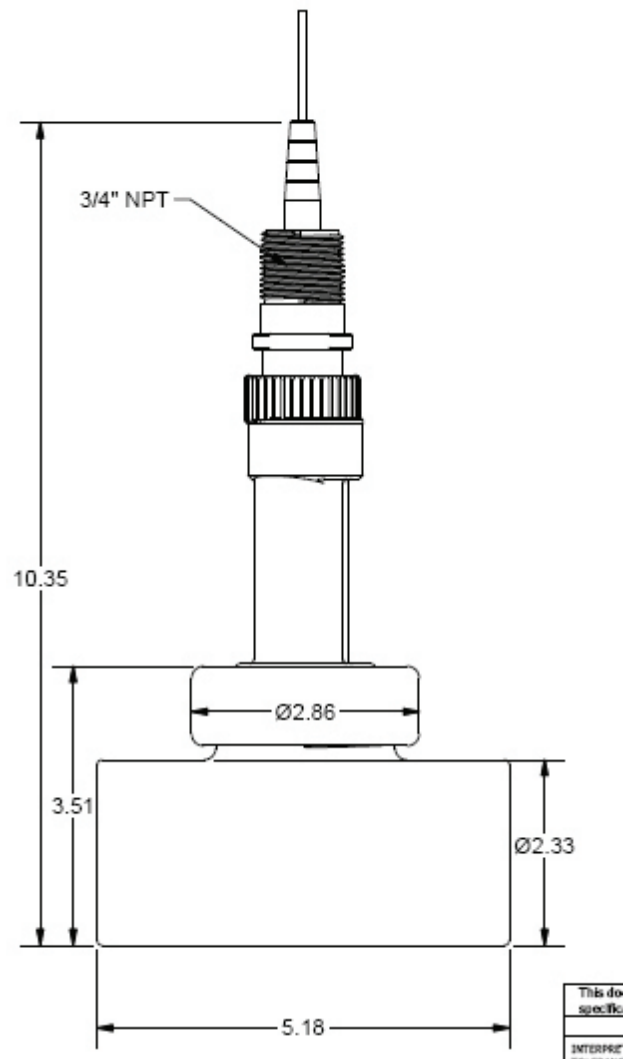
© Sensorex Corporation. All rights reserved. In the interest of improving and updating its equipment, Sensorex reserves the right to alter specifications to equipment at any time.

# OUTLINE AND DIMENSIONS (CONT.)

## S8300TC/10/BNC/TL



## S8000CD + EA899TC + S855 + FC800/FC805/FC806



DESIGNED AND ASSEMBLED IN CALIFORNIA, USA

11751 MARKON DRIVE • GARDEN GROVE, CA 92841 • 714.895.4344 • WWW.SENSOREX.COM

© Sensorex Corporation. All rights reserved. In the interest of improving and updating its equipment, Sensorex reserves the right to alter specifications to equipment at any time.