
Maximum chemical compatibility with inert glass bodies

Highly adaptable: Compatible with any meter accepting BNC

Sealed and refillable reference models

Accurate and reliable measurements across full pH scale (0-14)

Instantly ready for use: Extended shelf life (guaranteed for one year)

One year limited warranty

The right sensor makes the difference.

Choosing a sensor that is well-suited for your application will improve measurement accuracy and extend sensor lifetime. Glass body sensors perform well in unpredictable chemical environments due to the inert properties of glass.

SG200C: The SG200C glass pH sensor is easy to use and performs reliably in applications such as hydroponics, gardening, and education.

SG200CD & SG350CD: The SG200CD (bulb shape) and SG350CD (flat tip) electrodes are great for testing samples with unknown composition, such as wastewater. The double junction reference design prevents fouling by proteins, enzyme, and TRIS buffer.

SG1041 (Research Grade): Our SH1041CD glass pH electrodes are designed for maximum accuracy and sensor lifetime. These research grade probes have high sensitivity internals for temperature responsive measurements up to 100°C. The refillable pump junction allows easy maintenance to extend the sensor's lifetime.



SG200C



SG200CD



SG350CD



SG1041CD
Research Grade

SPECIFICATIONS

SG200C/SG201C

Diameter	12mm
Length	150mm
Reference	sealed (SG200C) Refillable(SG201C)
Junction Number	Single (1)
Junction Material	Ceramic Frit
Reference Solution	3.5 M KCl/AgCl (liquid)
Glass Shape	Bulb
Body Material	Glass
Temperature Range	0-60 degrees C
Strain Relief	No

SG200CD

Diameter	12mm
Length	150mm
Reference	Refillable
Junction Number	Double (2)
Junction Material	Annular Ceramic and Ceramic Frit
Reference Solution	3.5 M KCl/AgCl/ KNO ₃ (liquid)
Glass Shape	Bulb
Body Material	Glass
Temperature Range	0-80 degrees C
Strain Relief	No

SG1041CD

Diameter	12mm
Length	150mm
Reference	Refillable
Junction Number	Double (2)
Junction Material	Ground Glass and pHASE DJ
Reference Solution	3.5 M KCl (liquid)
Glass Shape	Bulb
Body Material	Glass
Temperature Range	0-100 degrees C
Strain Relief	Yes
Bulb Protection	Removable Guard

All Glass Laboratory pH Electrodes

UNIVERSAL

pH Range	0 - 14 (Na ⁺ error at 12.3 < pH)
Response	95% in 1 second (bulb glass shape) 95% in 5 seconds (flat glass shape)
Isopotential Point	7.00 pH (0 mV)
Offset	± 0.20 pH
Span	97% of theoretical or higher
Connector	BNC (Standard Configuration)
Cable Length	1 meter (Standard Configuration)

SPECIALTY

SG350CD

Diameter	12mm
Length	150mm
Reference	Sealed
Junction Number	Double (2)
Junction Material	HDPE and Pellon
Reference Solution	3.5 M KCl/AgCl/ KNO ₃ (gel)
Glass Shape	Flat
Body Material	Glass
Temperature Range	0-80 degrees C
Strain Relief	No

RECOMMENDED APPLICATIONS:

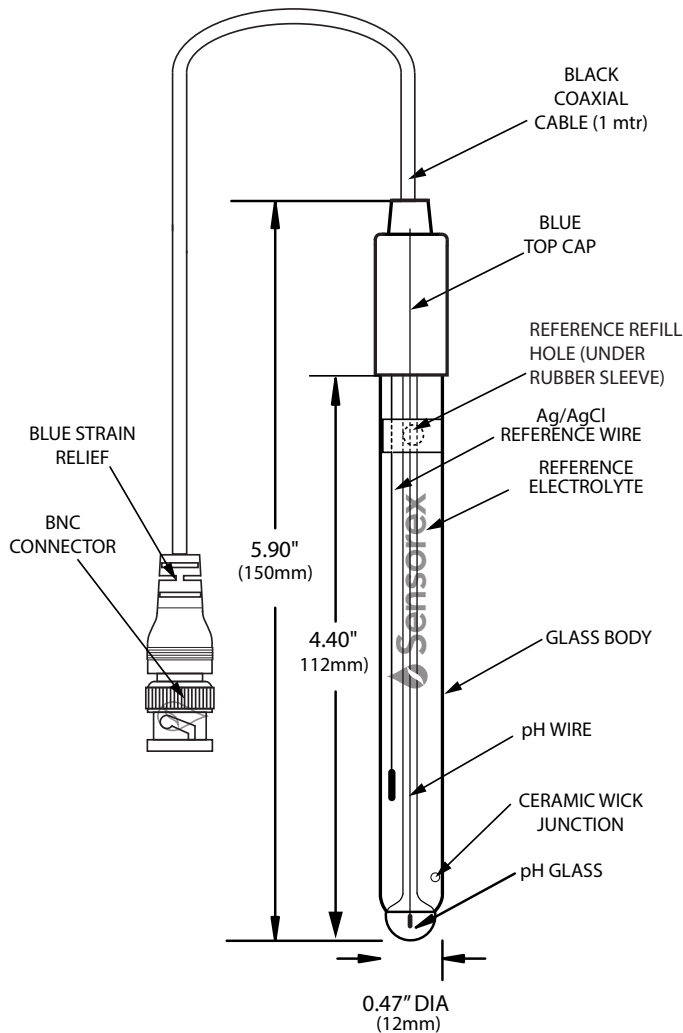
SG200C Series (Basic): Education, gardening, hydroponics, aquariums

SG200CD and SG350CD Series (Advanced): Electroplating, samples containing heavy metals, photographic media

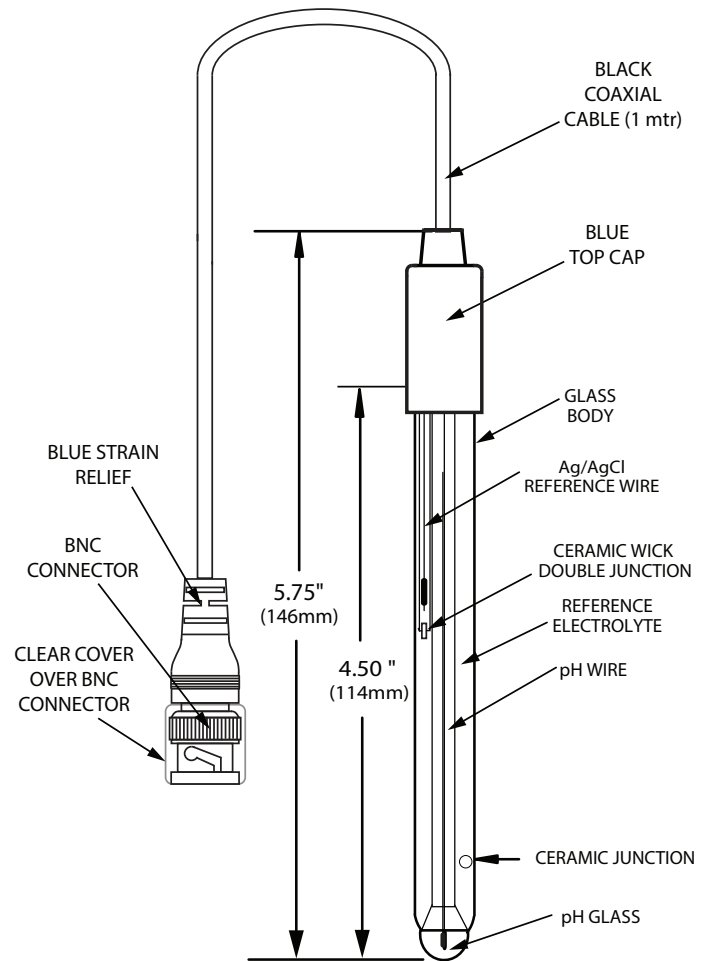
SG1041CD Series (Research Grade): Research and development, quality control, experimental research, low ionic samples

Don't see your application listed? For more detailed electrode selection information, check out our [interactive selection guide](#).

OUTLINES AND DIMENSIONS



SG200C/SG201C

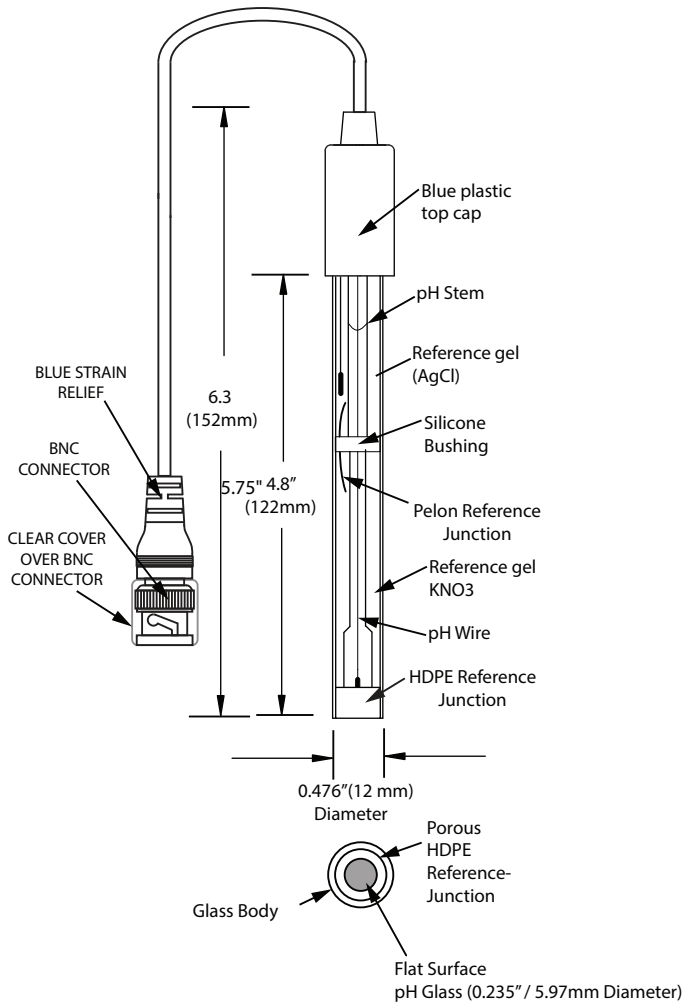


SG200CD

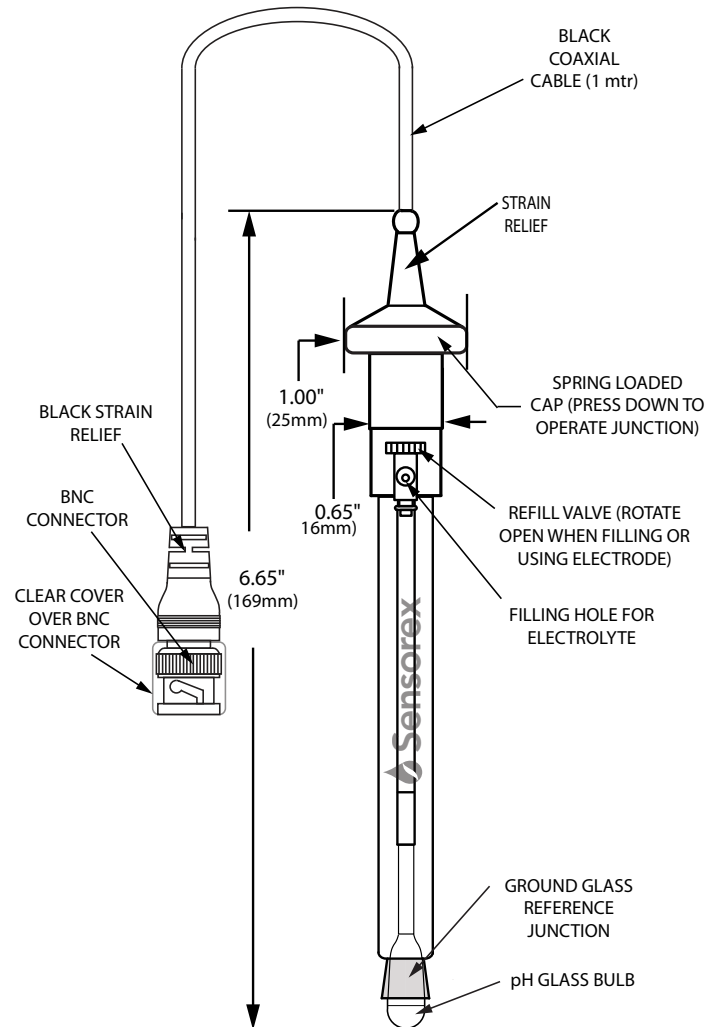
ORDERING INFORMATION

Part Number	Description
SG200C/BNC	Single junction, sealed glass body pH electrode, 1m cable, BNC
SG201C/BNC	Single junction, refillable glass body pH electrode, 1m cable, BNC
SG200CD/BNC	Double junction, refillable glass body pH electrode, 1m cable, BNC

OUTLINES AND DIMENSIONS



SG350CD



SG1041CD

ORDERING INFORMATION

Part Number Description

SG350CD/BNC Double junction, sealed glass body pH electrode with flat measurement surface, 1m cable BNC

SG1041CD/BNC High accuracy research grade double junction, refillable glass body pH electrode, 1m cable BNC