



3 Junction Types to fit your application needs:

PTFE junction medium particles/fibers in process , double junction and Ion Trap

Open Pore reference (no junction) for High load of particles/fibers in process

Ceramic reference junction for samples without fibers and particles

Detachable cables: Models for S8 and VarioPin connectors

Choose standard (100°C) or high temperature (130°C) models

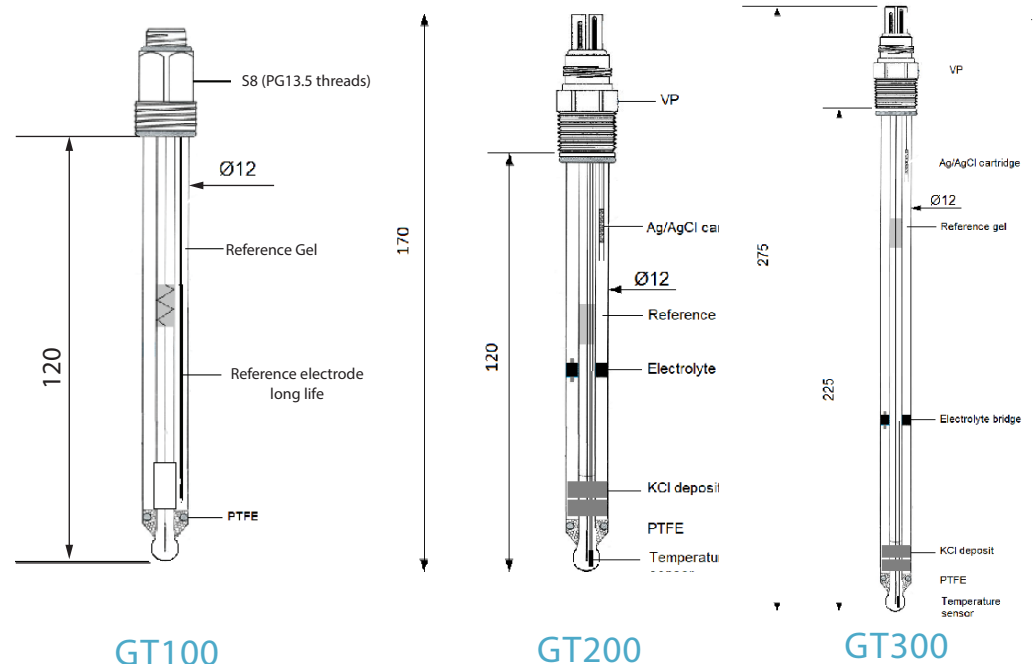
Choosing a sensor that is well-suited for your application will improve measurement accuracy and extend sensor lifetime. Glass body sensors perform well in unpredictable chemical environments due to the inert properties of glass. PTFE junction resists clogging and coating for stable readings and minimal cleaning in most applications.

GT100 series (Basic): The GT100 series glass pH sensor is easy to use and performs reliably in applications such as hydroponics, gardening, and education.

GT200 and GT300 series (High Temperature): The GT200 series are great for testing samples with high temperatures such as industrial wastewater. A double salt ring reference design ensures constant reference concentration for increased stability over time.

GT SERIES OUTLINE DRAWINGS

(Note: All dimensions are in mm)



SPECIFICATIONS

GT100 Series pH		GT200 Series pH		GT300 Series pH	
Diameter	12 mm	Diameter	12 mm	Diameter	12 mm
Length	120 mm	Length	120 mm	Length	225 mm
Reference	Sealed	Reference	Sealed	Reference	Sealed
Junction Number	Single or Double (see order table)	Junction Number	Double	Junction Number	Double
Junction Material	PTFE	Junction Material	PTFE	Junction Material	PTFE
Reference Solution	KCl/AgCl (gel)	Reference Solution	KCl/AgCl Gel/ Salt Rings	Reference Solution	KCl/AgCl Gel/ Salt Rings
Glass Shape	Bulb	Glass Shape	Bulb	Glass Shape	Bulb
Body Material	Glass	Body Material	Glass	Body Material	Glass
O-Ring	Viton®	O-Ring	Viton®	O-Ring	Viton®
Pressure	0-6 bar (87 psia)	Pressure	0-6 bar (87 psia)	Pressure	0-6 bar (87 psia)
Impedance	<300MΩ	Impedance	<1000MΩ	Impedance	<1000MΩ
Connector	S8 or VP	Connector	VP	Connector	VP
Temperature Range	-5 to 100°C (23 to 212°F)	Temperature Range	-5 to 130°C (23 to 266°F)	Temperature Range	-5 to 130°C (23 to 266°F)
Temp Comp*	See order table	Temp Comp*	Pt100 or Pt1000	Temp Comp*	Pt100 or Pt1000

*Choose Pt1000 for use with Sensorex transmitters

ORDERING INFORMATION

Part Number	Description
GT100	Glass body pH electrode, single junction, 120 mm x 12 mm, VarioPin connector
GT101	Glass body pH electrode, single junction, 120 mm x 12 mm, S8 connector
GT111	Glass body pH electrode, double junction, 120 mm x 12 mm, S8 connector
GT160	Glass body High-temp pH/ATC electrode, single junction, 120 mm x 12 mm, VarioPin connector, Pt100 Temp Comp
GT165	Glass body High-temp pH/ATC electrode, single junction, 120 mm x 12 mm, VarioPin connector, Pt1000 Temp Comp
GT200	Glass body High-temp pH electrode, double junction, 120 mm x 12 mm, VarioPin connector
GT260	Glass body High-temp pH/ATC electrode, double junction, 120 mm x 12 mm, VarioPin connector, Pt100 Temp Comp
GT265	Glass body High-temp pH/ATC electrode, double junction, 120 mm x 12 mm, VarioPin connector, Pt1000 Temp Comp
GT300	Glass body High-temp pH/ATC electrode, double junction, 225 mm x 12 mm, VarioPin connector
GT360	Glass body High-temp pH/ATC electrode, double junction, 225 mm x 12 mm, VarioPin connector, Pt100 Temp Comp
GT365	Glass body High-temp pH/ATC electrode, double junction, 225 mm x 12 mm, VarioPin connector, Pt1000 Temp Comp

SPECIFICATIONS-ORP

GT100 Series ORP		GT200 Series ORP		GT300 Series ORP	
Diameter	12 mm	Diameter	12 mm	Diameter	12 mm
Length	120 mm	Length	120 mm	Length	225 mm
Reference	Sealed	Reference	Sealed	Reference	Sealed
Junction Number	Single or Double (see order table)	Junction Number	Double	Junction Number	Double
Junction Material	PTFE	Junction Material	PTFE	Junction Material	PTFE
Reference Solution	KCl/AgCl (gel)	Reference Solution	KCl/AgCl Gel/ Salt Rings	Reference Solution	KCl/AgCl Gel/ Salt Rings
Sensing material	Platinum or Gold	Sensing material	Platinum	Sensing material	Platinum
Body Material	Glass	Body Material	Glass	Body Material	Glass
O-Ring	Viton®	O-Ring	Viton®	O-Ring	Viton®
Pressure	0-6 bar (87 psia)	Pressure	0-6 bar (87 psia)	Pressure	0-6 bar (87 psia)
Connector	S8 or VP	Connector	VP	Connector	VP
Temperature Range	-5 to 100°C (23 to 212°F)	Temperature Range	-5 to 130°C (23 to 266°F)	Temperature Range	-5 to 130°C (23 to 266°F)

ORDERING INFORMATION - ORP SENSORS

Part Number	Description
GT100/ORP	Glass body ORP electrode, platinum, single junction, 120 mm x 12 mm, VarioPin connector
GT101/ORP	Glass body ORP electrode, platinum, single junction, 120 mm x 12 mm, S8 connector
GT101/ORP-AU	Glass body pH electrode, gold, single junction, 120 mm x 12 mm, S8 connector
GT200/ORP	Glass body High-temp ORP electrode, platinum, double junction, KCL reservoir, 120 mm x 12 mm, VarioPin connector
GT300/ORP	Glass body High-temp ORP electrode, platinum, double junction, KCL reservoir, 225 mm x 12 mm, VarioPin connector

Cables (for pH and ORP sensors)

GTC-V/1	VarioPin Cable 1 meter, tinned leads
GTC-V/3	VarioPin Cable 3 meter, tinned leads
GTC-V/5	VarioPin Cable 5 meter, tinned leads
GTC-V/10	VarioPin Cable 10 meter, tinned leads
GTC-S/1	S7 Cable 1 meter, tinned leads
GTC-S/3	S7 Cable 3 meter, tinned leads
GTC-S/5	S7 Cable 5 meter, tinned leads
GTC-S/10	S7 Cable 10 meter, tinned leads

GLASS-BODY PROCESS pH & ORP ELECTRODES

PRODUCT SPECIFICATION SHEET

Choosing a sensor that is well-suited for your application will improve measurement accuracy and extend sensor lifetime. Glass body sensors perform well in unpredictable chemical environments due to the inert properties of glass. Open pore reference junction resists clogging and coating for stable readings and minimal cleaning in most applications.

GG100 series: The GG100 series glass pH sensor is easy to use and performs reliably in applications such as hydroponics, gardening, and education. GG101 is pH sensor only and GG160 and GG165 feature temperature compensation and connection via a VarioPin connector

GC200 Series: GC201 is pH sensor only and GC260 and GC265 feature temperature compensation and connection via a VarioPin connector



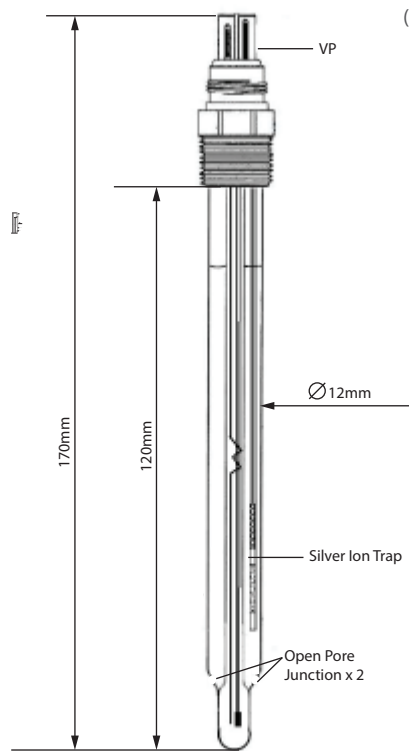
GC101

SPECIFICATIONS

GG100 Series		GC200 Series	
pH Range	0-14	pH Range	0-14
Diameter	12 mm	Diameter	12 mm
Length	120 mm	Length	120 mm
Reference	Sealed	Reference	Sealed
Junction Number	Single	Junction Number	Ion trap
Junction Material	open pore	Junction Material	Ceramic
Reference Solution	KCl/AgCl (gel)	Reference Solution	KCl/AgCl (gel)
Glass Shape	Bulb	Glass Shape	Bulb
Body Material	Glass	Body Material	Glass
O-Ring	N/A	O-Ring	N/A
Pressure	0-6 bar (87 psia)	Pressure	0-6 bar (87 psia)
Impedance	<300MΩ	Impedance	<300MΩ
Connector	S8 or VP	Connector	S8 or VP
Temperature Range	-5 to 130°C (23 to 266°F)	Temperature Range	-5 to 130°C (23 to 266°F)
Temp Comp*	See order table	Temp Comp*	See order table

*Choose Pt1000 for use with Sensorex transmitters

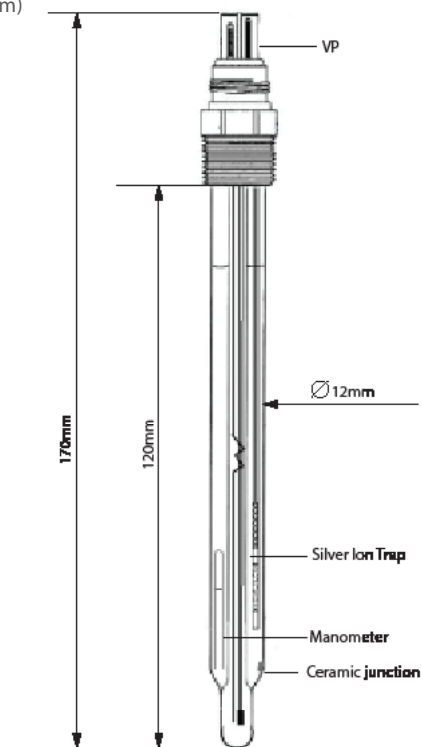
GG SERIES OUTLINE DRAWING



GG160

GC SERIES OUTLINE DRAWING

(Note: All dimensions are in mm)



GC260

ORDERING INFORMATION

Part Number	Description
GG101	Glass body pH electrode, open pore junction, S8 connector
GG160	Glass body pH/ATC electrode, open pore junction, 120 mm x 12 mm, VarioPin connector, Pt100 Temp Comp
GG165	Glass body pH/ATC electrode, open pore junction, 120 mm x 12 mm, VarioPin connector, Pt1000 Temp Comp
GC201	Glass body pH Sensor, pressurized, ceramic diaphragm, ion trap reference system, pre-pressurized gel reference, 120x12 mm, S8 connector
GC260	Glass body pH/ATC Sensor, pressurized, ceramic diaphragm, ion trap reference system, pre-pressurized gel reference, 120x12 mm, VarioPin connector, Pt100 Temp Comp
GC265	Glass body pH/ATC Sensor, pressurized, ceramic diaphragm, ion trap reference system, pre-pressurized gel reference, 120x12 mm, VarioPin connector, Pt1000 Temp Comp