

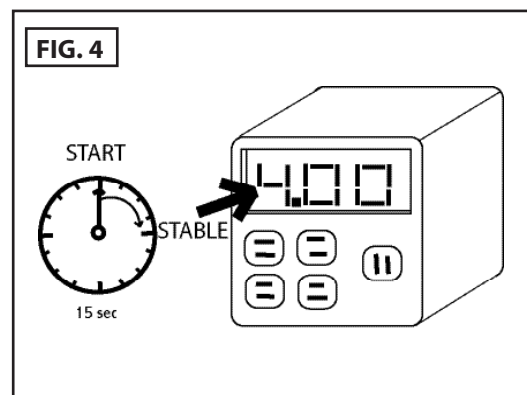
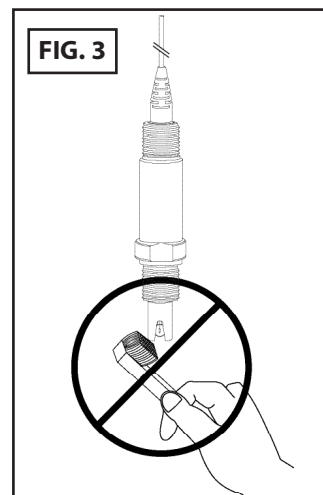
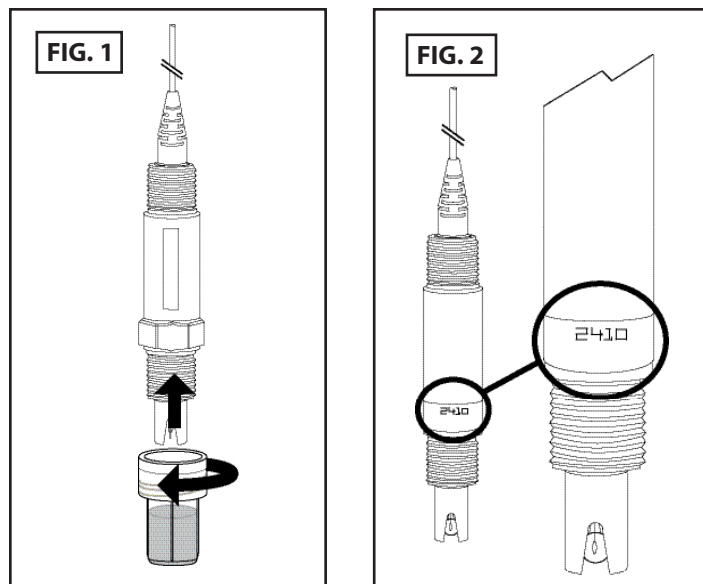
pH and ORP Sensors in PPS Bodies with Fixed NPT Threads

Product Instructions

This economical combination pH/Reference electrode or ORP (REDOX)/Reference Electrode is easy to use. Because the pH responsive bulb or flat glass surface is relatively thin, care should be taken so that the pH glass does not become scratched or broken. It is also important that ORP measuring surfaces are not scratched or gouged. The suggestions in this instruction sheet are intended to help avoid these problems. The built-in sealed reference design of this electrode eliminates the need to add filling solutions and minimizes reference dryout. This design feature also allows the electrode to be used in pressurized systems (refer to specification sheets or consult the factory for maximum pressure/temperature limit information).

Section 1.0 Important Considerations

1. The pH Electrode is shipped in bottle solution of pH 4 buffer and potassium chloride. ORP (REDOX) Electrodes are shipped in caps containing a piece of cotton wetted with tap water. The electrode should remain in the cap until it is used. If the electrode is used infrequently the cap and its solution should be saved and the electrode stored in it. Store pH electrodes in pH 4 buffer if soaking solution is discarded. Remove cap and o-ring from bottle to use (SEE FIG 1).
2. Electrodes are a form of a battery and have limited shelf lives. Electrodes in inventory should be rotated so that the older electrodes are used first. The date code is stamped on each electrode by fiscal week and year (Example: 4204 = October 10-16, 2004). See FIG 2.
3. After exposure to a sample, buffer or rinse solution, carryover can be minimized by blotting—never by wiping—the electrode with a clean, non-abrasive paper or a clean cloth towel. *Do not use a brush on pH glass* (SEE FIG 3).
4. As a rinse solution, use a part of the next sample or buffer, which is to be measured. This action also will minimize contamination from carryover.
5. When calibrating, use a buffer close in value to that expected from the sample for one-point calibrations or as the first buffer for two-point calibrations (See below). This action will minimize span errors.
6. Readings stabilize faster in some solutions than others; allow time for the readings to stabilize. In general, with new electrodes stable readings in buffer are obtained in less than five seconds with pH bulb type and 10-15 seconds for flat surface type (SEE FIG 4).



Section 1.0 Important Considerations (Cont.)

7. All pH electrodes age with time. Aging is characterized by shortened span and slower speed of response. Aging is best detected by the two-point calibration method. If the pH meter has manual or microprocessor slope (span) controls, the controls can be adjusted to compensate for electrode span errors (but will not affect the speed of response).
8. Electrodes should be replaced when their readings cannot be corrected by the meter's controls (SEE FIG 5) and/or when their speed of response is too slow for the application for which they are being used. The frequency of electrode replacement is a function of the application; electrodes operating in hot liquids at very high or very low pH values will have shorter lives than those operating at neutral pH and ambient temperature.
9. Coatings on an electrode's surface prevent new liquids from contacting an electrode's measuring surface and can mimic the effects of electrode aging. Before concluding that an electrode needs replacing, check its surface for coatings as shown in FIG 6.
10. Temperature affects electrode readings in two ways. First, the output of an electrode varies with temperature. For pH electrodes this effect can be corrected by manual or automatic temperature compensation (ORP/Redox readings are not corrected for temperature effects). Secondly, the real pH or ORP value, independent of the electrode measuring the value or use of the temperature compensation, is temperature dependent. This fact means, for example, that the readings at 25C and 75C will be (and, in fact are) different.

Section 2.0 Mechanical Installation

Install electrode into 3/4" tee or threaded connection. Be sure to apply teflon tape or paste to the electrode's threads to ensure a water-tight connection. (SEE FIG 5.)

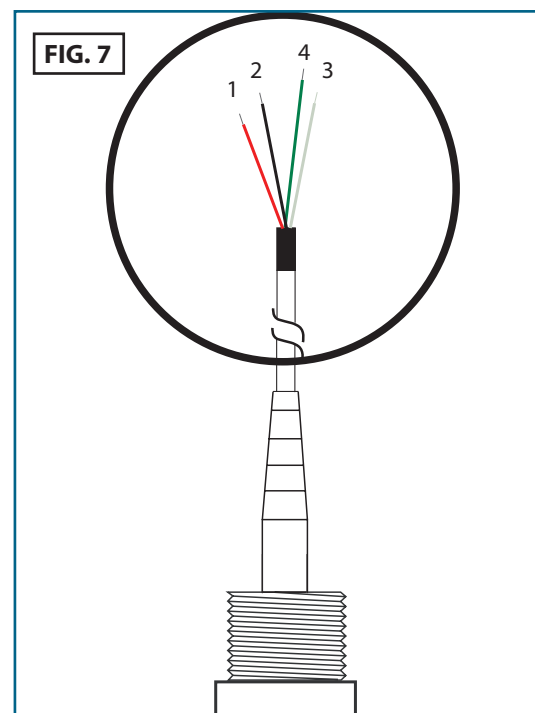
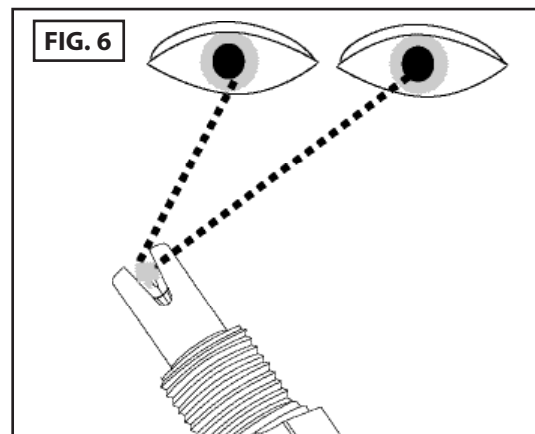
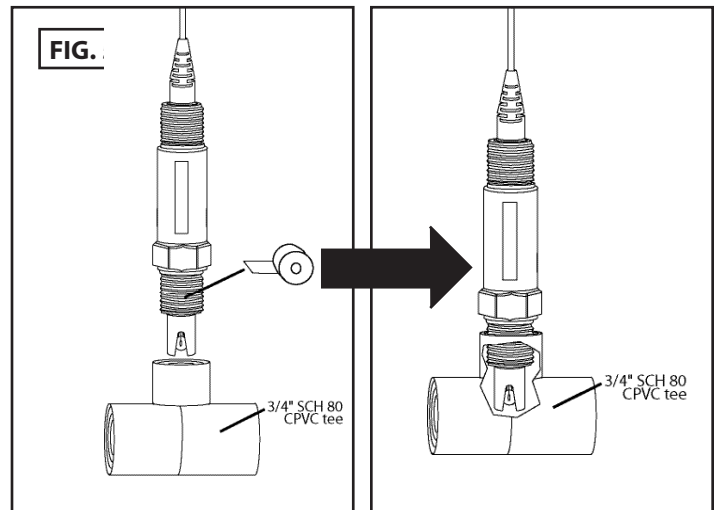
Section 3.0 Sensor Wiring

Your sensor can be supplied with BNC or tinned leads and with or without temperature compensation. For sensor without temperature compensation, connect the BNC to your controller or the tinned leads as:

- Coaxial cable center wire = pH
- Coaxial cable braid = Reference

For sensors with temperature compensation,
Use the BNC for pH and tinned wires for temperature
For tinned lead models:

- Coaxial cable center wire = pH (1 in FIG 7)
- Purple wire = Reference (2 in FIG 7)
- Black wire = Temperature 1 (3 in FIG 7)
- Red wire = Temperature 2 (4 in FIG 7)



Section 3.0 Sensor Wiring(cont.)

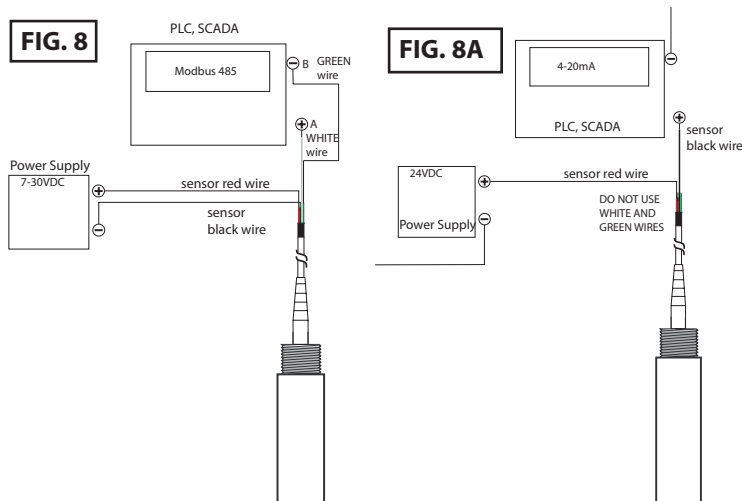
For sensors with Modbus or 4-20mA output:

1) Modbus:

- Red wire = 7-30VDC (See FIG 8)
- Black wire = Gnd (See FIG 8)
- White wire = Modbus A (See FIG 8)
- Green wire = Modbus B (See FIG 8)

2) 4-20mA

- Red wire = 24VDC (See FIG 8A)
- Black wire = signal (See FIG 8A)
- White wire = not used (See FIG 8A)
- Green wire = not used (See FIG 8A)



Section 4.0 Calibration Procedure

The frequency of calibration is really determined by experience. At a new installation calibration might initially be checked every few hours or shift with the calibration changes noted in a log. As a pattern of longer stability is found, the time between calibration checks can be increased to once a day or once a week. Although the frequency of calibration is solely the responsibility of the user, once a week is the longest recommended interval between calibrations (SEE FIG 9).

System Calibration Concepts

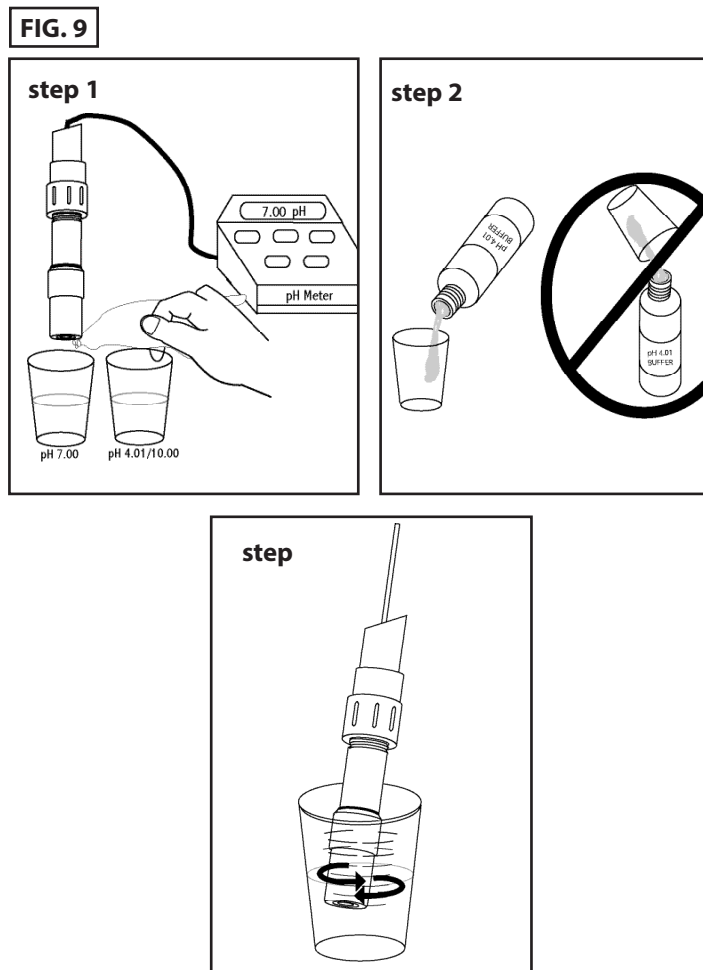
The pH Electrode and the pH Meter should always be calibrated as a system. Even if perfect when new, the performance of pH electrodes varies with time, usually in an unpredictable way. When changing electrodes or connecting an electrode to a different pH meter re-calibration must be performed.

Two-Point Calibrations

Two-point calibrations correct for both the pH electrode's offset and span errors. Since both the offset and span vary with time, the two-point method is preferred. Choose buffer pH 7 for zero point and a second buffer close to operating range.

Grab Sample Calibrations

The Grab Sample Calibration method is used when it is difficult or undesirable to remove an electrode from a system. This method involves obtaining a sample of the liquid being measured and noting the meter's reading at that time. The sample's reading, which is obtained by use of a calibrated lab or portable meter, is compared to the on-line meter's reading. The on-line meter is adjusted by the difference between the readings.



Section 4.0 Calibration Procedure (cont.)

Calibration Procedures (See Fig 9) - Stepwise calibration procedures are noted in the pH Meter's Instruction Manual. The following suggestions will help make calibrations as accurate as is possible.

1. Before placing the electrode in a new buffer, use an absorbent paper towel or clean absorbent cloth to blot— not wipe— off any liquid that clings to the electrode. This action will minimize carryover that could contaminate the buffer.
2. Always use fresh buffers. Safely dispose of the buffers after they have been used for calibration. Do not return them to their bottles; this action could contaminate the buffers.
3. Stir the electrode in the buffer to make certain that the fresh buffer quickly reaches the electrode's measuring surface.

Section 5.0 Electrode Cleaning

Coating of an electrode's measuring surface can lead to erroneous readings, including shortened span and slow response times. The type of coating determines the type of cleaning technique.

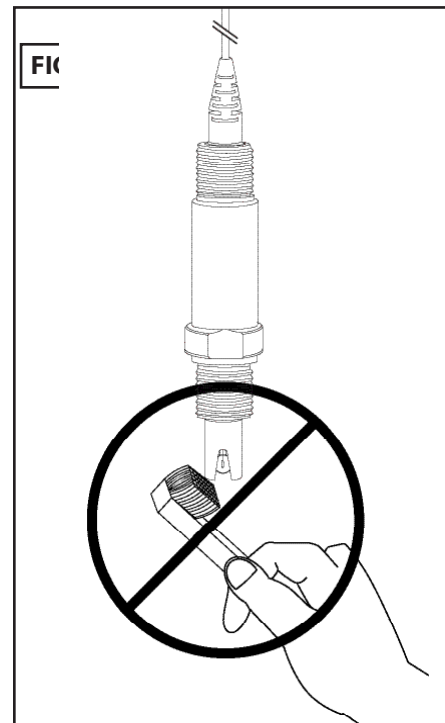
Soft Coatings can be removed by vigorous stirring, by use of a squirt bottle or, very carefully, by gently wiping with a soft, clean non-abrasive paper or cloth. *Do not use any brush or abrasive cleaner on pH glass!* (SEE FIG 10)

Hard Coatings should be chemically removed. The chemical used to remove the coating should be the least harsh chemical that dissolves the coating in one or two minutes and does not attack the electrode's materials of construction. For example, a calcium carbonate coating might be removed with 5% HCl (muriatic acid).

Oily or Organic Coatings are best removed with detergents or an appropriate solvent that does not attack the electrode's materials of construction. For example, acetone should be avoided if the electrode's body is made of CPVC.

NOTE: When using chemicals or solvents, care should be taken and appropriate eye, face, hand, and/or respiratory protection should be used.

Abrading or sanding a pH electrode's surface should never be done. However, the measuring surface of an ORP/REDOX electrode may be gently abraded by use of 600 grade wet silicon carbide paper, jeweler's rouge or very fine steel wool, but try to clean chemically before abrading with 600 paper.



Section 6.0 Troubleshooting

Troubleshooting pH sensors can be difficult. The charts below are to serve as a guide to troubleshooting the most commonly encountered pH sensor problems. If your symptom(s) don't appear in the charts, please contact Sensorex for support.

STANDARD pH ELECTRODE TROUBLESHOOTING

pH Buffer Reading	Possible Cause	Corrective Action
6.20-6.80 in all buffers	1) Cracked pH glass 2) Stress crack	1) Replace electrode 2) Contact Sensorex for RMA
7.00 in all buffers	1) improper cable strip 2) Internal Short	1) See user manual or contact Sensorex for instructions 2) Contact Sensorex for RMA
Buffers reads close to expected value but speed of response is slow (.30sec)	1) Dirty electrode 2) temperature too low	1) Clean electrode (use dilute dish soap) 2) Flat glass pH electrodes should be used at temp >10C/50F if possible
Large Offset in pH buffers	Ground loop	connect solution to earth ground
Short span	Dirty pH glass/ref	Clean electrode (use dilute dish soap)
Unstable or drifting reading	Reference dirty	Clean electrode (use dilute dish soap)

SMART (Modbus and mA)pH ELECTRODE TROUBLESHOOTING

Symptom	Possible Cause	Possible Fix
Sensor does not communicate (MB)	sensor reset or ID changed	Use recovery feature in software on SETUP tab
Sensor does not calibrate	Save Calibration button not pressed during cal	Restart calibration. Make sure to follow software prompt and press SAVE CALIBRATION button
Cannot measure mA	Sensor is set as Modbus	1) Set OPERATION MODE to 4-20mA in ADVANCED tab in software 2) Wait at least 15 seconds for the sensor to go through start up