



Resists coating, corrosion and fouling

Durable, temperature resistant PEEK construction;
0°C to 170°C (0°C to 338°F)

Threaded 3/4" NPT for submersion or in-line mounting

Models available for use with EX2000RS, TCSMA, or TCSTX or our SSRE remote electronics

The Sensorex TCSP toroidal (inductive) conductivity sensors feature a wide measurement range and dependable toroidal technology over the range 0-2000 ms/cm. Resistant to corrosion, coatings and fouling common to contacting conductivity sensors, the TCSP3020 and TCSP3021 are designed for a trouble-free and long service life.

PEEK (unfilled, polyetheretherketone) is the standard material of construction and has a wide solvent tolerance and temperature stability; from 0°C to 170°C (0°C to 338°F). Sensor features 3/4" MNPT for connection to conduit for submersion mounting or insertion in a bushing for in-line mounting. A Pt1000 RTD temperature element is built into the sensor for temperature compensation. All TCSP sensor models are available with 10ft or 20ft long 9-conductor cable. Custom lengths are available. Please contact Sensorex for custom cable length pricing.

NOTE: * PEEK IS A TRADEMARK OF VICTREX USA INC.

SPECIFICATIONS

Measuring Range	0-2,000,000 uS/cm
Body Material	PEEK*, Unfilled
Temperature Range	0 to 170°C (32 to 338°F)
Max Pressure	300 psig/
Temperature Compensation	Pt 1000 RTD
Cable Length	9 conductor (6 conductor plus shields) with PTFE jacket; available in standard 10ft or 20ft lengths; custom lengths available on request.
Process Connection	3/4" MNPT

TRANSMITTERS (FOR TCSP3020)



EX2000RS



TCSTX



TCSMA

SMART MODULES (FOR TCSP3021)



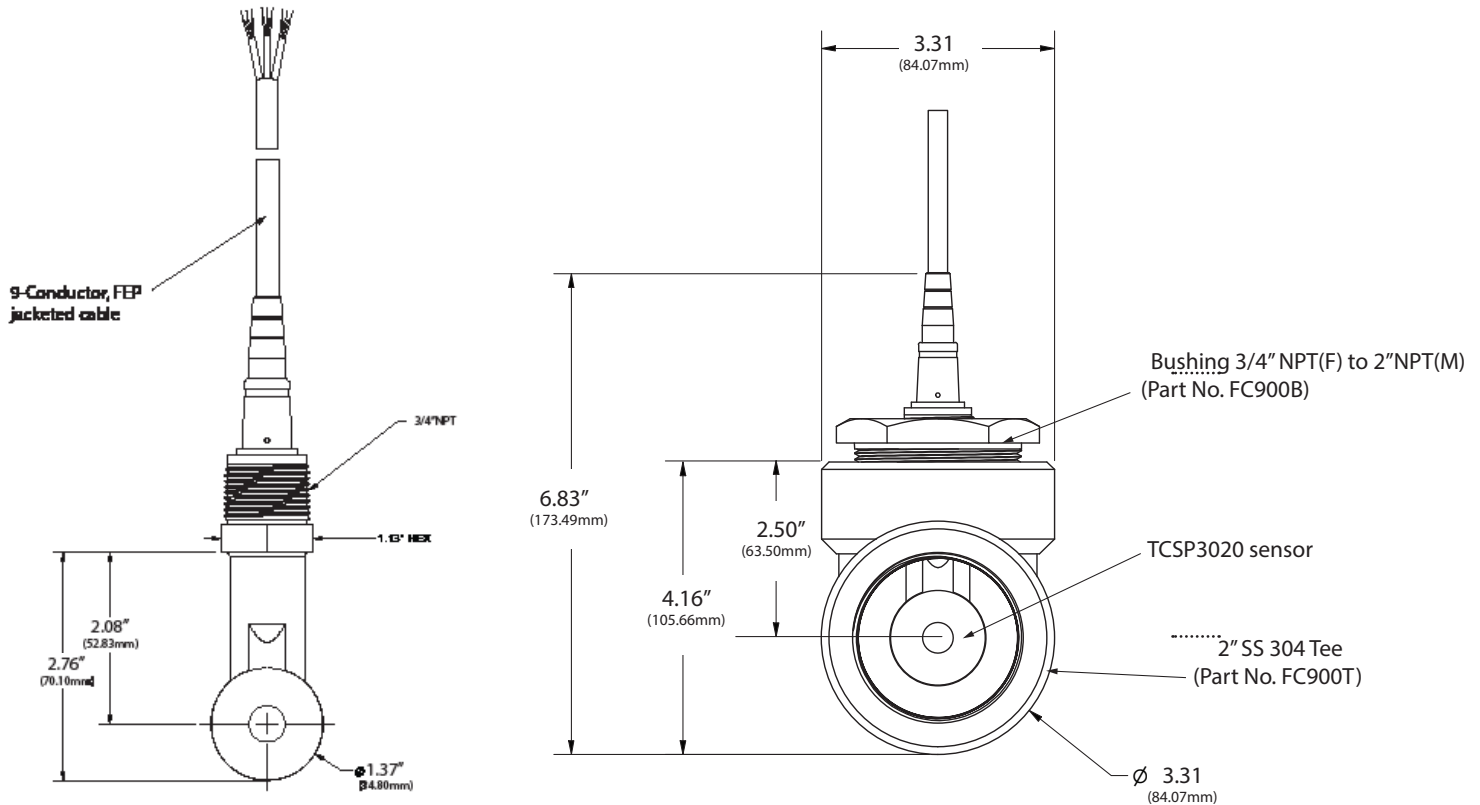
SSRE-T-DR



SSRE-T-EN

TCSP3020-SPECS-01312025

TCSP-SERIES DIMENSIONAL VIEWS



ORDERING INFORMATION

Part Number	Description
Sensors	
TCSP3020-1-CC-3-A-1	PEEK Toroidal Sensor for use with Sensorex transmitters, EX2000RS, TCSMA, TCSTX, 10-ft cable, 3/4 NPT, tinned leads
TCSP3020-1-CD-3-A-1	PEEK Toroidal Sensor for use with Sensorex transmitters, EX2000RS, TCSMA, TCSTX, 20-ft cable, 3/4 NPT, tinned leads
TCSP3021-1-CC-3-A-1	PEEK Toroidal Sensor for use with Sensorex SSRE remote electronics, 10-ft cable, 3/4 NPT, tinned leads
TCSP3021-1-CD-3-A-1	PEEK Toroidal Sensor for use with Sensorex SSRE remote electronics, 20-ft cable, 3/4 NPT, tinned leads
Accessories	
FC900B	Bushing, 3/4" NPT(F) to 2"NPT(M), 304 SS
FC900T	Tee Fitting, 2"NPT(F), 304 SS



Sensorex toroidal sensors are available in off the shelf options but are also designed with the OEM in mind. We can provide custom cable lengths, specialized connectors, and even match coil windings / inductance to work with your instrument or system. Contact your Sensorex sales representative or visit our [OEM page](#) (scan code at right).



SENSOREX CORPORATION

11751 MARKON DRIVE • GARDEN GROVE, CA 92841, USA
714.895.4344 • WWW.SENSOREX.COM

SENSOREX SRO

OKRUŽNÍ • 2615 CESKE BUDEJOVICE, 370 01 CZECH REPUBLIC
+420 72.796.3481 • WWW.SENSOREX.COM